

**OPERATING, MAINTENANCE &  
PARTS MANUAL  
MANUAL DE FUNCIONAMIENTO,  
MANTENIMIENTO Y PIEZAS  
MANUEL D'ENTRETIEN,  
D'OPÉRATION ET DE PIÈCES**

**HAND OPERATED CHAIN HOIST  
POLIPASTO MANUEL DE CADENA  
PALANS MANUELS À CHAÎNE**

**CM**®

# HURRICANE



Before installing hoist, fill in the information below.

Antes de instalar el polipasto, rellene los datos siguientes.

Enregistrez les informations suivantes avant de faire l'installation

Rated Load/Carga nominal/Charge nominale \_\_\_\_\_

Serial No./N° de serie/No. de Ser. \_\_\_\_\_

Purchase Date/Fecha de compra/Date d'achat \_\_\_\_\_

**Rated Loads:**

½, 1, 2, 3, 5 and 10 Tons (500, 1000, 2000, 3000, 5000 and 10000 Kg.)

**Follow all instructions and warnings for inspecting, maintaining and operating this hoist.**

The use of any hoist presents some risk of personal injury or property damage. That risk is greatly increased if proper instructions and warnings are not followed. Before using this hoist, each operator should become thoroughly familiar with all warnings, instructions and recommendations in this manual. **Retain this manual for future reference and use.**

Forward this manual to operator. Failure to operate equipment as directed in manual may cause injury.

**Cargas nominales:**

½, 1, 2, 3, 5 y 10 TM. (500, 1000, 2000, 3000, 5000 y 10000 Kg.)

**Siga todas las instrucciones y advertencias para inspeccionar, mantener y operar este polipasto.**

El uso de cualquier polipasto entraña riesgos para personas u objetos. Este riesgo se incrementa si no se siguen correctamente las instrucciones y advertencias. Antes de usar el polipasto el operario debería estar familiarizado con todas las advertencias, instrucciones y recomendaciones de este manual. **Guarde este manual para futuras consultas.**

Entregue este manual al operario. Si no se siguen las instrucciones de funcionamiento es posible que se produzcan daños.

**Charges nominales :**

½, 1, 2, 3, 5 ET 10 Tonnes (500, 1000, 2000, 3000, 5000 et 10000 Kg.)

**Suivez toutes les instructions et avertissements pour l'inspection, l'entretien et l'opération de ce palan.**

L'utilisation de tout palan représente des risques de blessures ou de dommage à la propriété. Ces risques sont grandement accrus si des directives et avis adéquats ne sont pas suivis. Chaque opérateur devrait se familiariser rigoureusement avec toutes les instructions et avertissements de ce manuel avant d'utiliser ce palan. **Conservez ce manuel pour utilisation et référence future.**

Remettez ce manuel à l'opérateur. L'opération de cet équipement de façon autre que celle décrite dans ce manuel peut causer des blessures.

## **CM HOIST PARTS AND SERVICES ARE AVAILABLE IN THE UNITED STATES AND IN CANADA**

As a CM Hoist and Trolley user you are assured of reliable repair and parts services through a network of Master Parts Depots and Service Centers that are strategically located in the United States and Canada. These facilities have been selected on the basis of their demonstrated ability to handle all parts and repair requirements promptly and efficiently. To quickly obtain the name of the Master Parts Depot or Service Center located nearest you, call (800) 888-0985. Fax: (716) 689-5644.

## **LAS PIEZAS Y REPARACIONES DE LOS POLIPASTOS DE CM ESTÁN ASEGURADAS EN ESTADOS UNIDOS Y CANADÁ**

Como usuario de un polipasto y carro de CM le aseguramos cualquier reparación o la disponibilidad de cualquier pieza de repuesto a través de una red de almacenes de piezas de repuesto y centros de servicio situados estratégicamente en Estados Unidos y Canadá. Estas instalaciones se han seleccionado en base a su capacidad demostrada en la reparación de equipos y suministro de piezas de repuesto de forma rápida y eficaz. Para obtener la dirección del almacén de piezas de repuesto o del centro de servicio más cercano, llame al teléfono (800) 888-0985. Fax: (716) 689-5644 (sólo en Estados Unidos y Canadá).

## **LE SERVICE DE RÉPARATION ET DE PIÈCES POUR PALANS CM EST DISPONIBLE AUX ÉTATS-UNIS ET AU CANADA**

Soyez assurés qu'en temps d'utilisateur de palan et treuil CM, d'un service de réparation et de pièces fiable par l'entremise d'un réseau de Centres de service et de Dépôts de pièces maîtresses qui sont stratégiquement situés aux États-Unis et au Canada. Ces établissements ont été sélectionnés sur une base de leur habileté démontrée à s'occuper promptement et efficacement des besoins de réparation de pièces. Appelez le (800) 888-0985, Fax : (716) 689-5644 pour obtenir rapidement le nom du dépôt de pièces maîtresses ou du centre de service situé le plus près.

# Hoist safety is up to you...



**WARNING**

- DO NOT LIFT MORE THAN RATED LOAD.
- DO OPERATE WITH MANUAL POWER ONLY (ONE OPERATOR).

## 1

### CHOOSE THE RIGHT HOIST FOR THE JOB...

Choose a hoist with the capacity for the job. Know the capacities of your hoists and the weight of your loads.

Then match them.

The application, the size and type of load, the attachments to be used and the period of use must also be taken into consideration in selecting the right hoist for the job.

Remember, the hoist was designed to ease our burden and carelessness not only endangers the operator, but in many cases, a valuable load.



**WARNING**

- DO NOT OPERATE DAMAGED OR MALFUNCTIONING HOIST.
- DO NOT OPERATE WITH TWISTED, KINKED, OR DAMAGED CHAIN.

## 2

### INSPECT

All hoists should be visually inspected before use, in addition to regular, periodic maintenance inspections.

Inspect hoists for operations warning notices and legibility.

Deficiencies should be noted and brought to the attention of supervisors. Be sure defective hoists are tagged and taken out of service until repairs are made.



Under no circumstances should you operate a malfunctioning hoist.

Check for gouged, twisted, distorted links and foreign material. Do not operate hoists with twisted, kinked, or damaged chain links.

Load chain should be properly lubricated.

Hooks that are bent, worn, or whose openings are enlarged beyond normal throat opening should not be used. If latch does not engage throat opening of hook, hoist should be taken out of service.

Chains should be checked for deposits of foreign material which may be carried into the hoist mechanism.

Check brake for evidence of slippage under load.



**WARNING**

- DO NOT PULL AT AN ANGLE. BE SURE HOIST AND LOAD ARE IN A STRAIGHT LINE.
- DO NOT USE LOAD CHAIN AS A SLING.

## 3

### USE HOIST PROPERLY

Be sure hoist is solidly held in the uppermost part of the support hook arc.



Be sure hoist and load are in a straight line. Do not pull at an angle.



Be sure load is hooked securely. Do not tip load the hook. Do not load hook latch. Hook latch is to prevent detachment of load under slack chain conditions only.



Do not operate with hoist head resting against any object. Lift the load gently. Do not jerk it.



**WARNING**

- DO NOT LIFT PEOPLE OR LOADS OVER PEOPLE

## 4

### PRACTICE CAUTION ALWAYS

Do not lift co-workers with a hoist.

Make sure everyone is clear of the load when you lift.

Do not remove or obscure operational warning notices.



## 5

### OPERATOR SERVICE

**CLEANING**  
Hoists should be kept clean and free of dust, dirt, moisture, etc., which will in any way affect the operation or safety of the equipment.

**LUBRICATION**  
Chain should be properly lubricated.

**AFTER REPAIRS**  
Carefully operate the hoist before returning it to full service.



**VIOLATIONS OF ANY OF THE WARNINGS LISTED MAY RESULT IN SERIOUS PERSONAL INJURY TO THE OPERATOR OR NEARBY PERSONNEL BY NATURE OF RELEASED LOAD OR BROKEN HOIST COMPONENTS.**

## GENERAL SAFETY INFORMATION

### **WARNING**

Improper operation of a hoist can create a potentially hazardous situation which, if not avoided, could result in death, or serious injury. To avoid such a potentially hazardous situation, the operator shall:

1. **NOT** operate a malfunctioning or unusually performing hoist.
2. **NOT** operate the hoist until you have thoroughly read and understood this manual.
3. **NOT** operate a hoist which has been modified.
4. **NOT** lift or pull more than rated load for the hoist.
5. **NOT** use damaged hoist or hoist that is **Not** working properly.
6. **NOT** use hoist with twisted, kinked, damaged, or worn load chain.
7. **NOT** use the hoist to lift, support, or transport people.
8. **NOT** lift loads over people and make sure all personnel remain clear of the supported load.
9. **NOT** attempt to lengthen the load chain or repair damaged load chain.
10. Protect the hoists load chain from weld splatter or other damaging contaminants.
11. **NOT** use load chain as a sling or wrap load chain around load.
12. **NOT** apply the load to the tip of the hook or to the hook latch.
13. **NOT** apply load unless load chain is properly seated in the chain wheel(s) or sprocket(s).
14. **NOT** apply load if bearing prevents equal loading on all load supporting chains.
15. **NOT** operate beyond the limits of the load chain travel.
16. **NOT** leave load supported by the hoist unattended unless specific precautions have been taken.
17. **NOT** allow the chain or hook to be used as an electrical or welding ground.
18. **NOT** allow the chain or hook to be touched by a live welding electrode.
19. **NOT** remove or obscure the warnings on the hoist.
20. **NOT** operate a hoist which has **Not** been securely attached to a suitable support.
21. **NOT** operate a hoist unless load slings or other approved single attachments are properly sized and seated in the hook saddle.
22. **NOT** operate a hoist when it is restricted from forming a straight line from hook to hook in the direction of loading.
23. **NOT** lift loads that are **Not** balanced and that the holding action is **Not** secure, taking up slack carefully.
24. **NOT** operate a hoist unless all persons are and remain clear of the supported load.
25. Report malfunctions or unusual performances of a hoist, after it has been shut down until repaired.
26. **NOT** operate a hoist on which the safety placards or decals are missing or illegible.
27. Be familiar with operating controls, procedures and warnings.

### **CAUTION**

Improper operation of a hoist can create a potentially hazardous situation which, if not avoided, could result in minor or moderate injury. To avoid such a potentially hazardous situation, the operator shall:

1. Maintain a firm footing or be otherwise secured when operating the hoist.
2. Check brake function by tensioning the hoist prior to each lift or pulling operation.
3. Use hook latches. Latches are to retain slings, chains, etc. under slack conditions only.
4. Make sure the hook latches are closed and not supporting any parts of the load.
5. Make sure the load is free to move and will clear all obstructions.
6. Avoid swinging the load or hook.
7. Inspect the hoist regularly, replace damaged or worn parts, and keep appropriate records of maintenance.
8. Use only Columbus McKinnon parts when repairing the unit.
9. Lubricate load chain as recommended in this manual.
10. **NOT** operate except with manual power.
11. **NOT** permit more than one operator to pull on a single hand chain at the same time. More than one operator is likely to cause hoist overload.
12. **NOT** allow your attention to be diverted from operating the hoist.
13. **NOT** allow the hoist to be subjected to sharp contact with other hoists, structures, or objects through misuse.
14. **NOT** adjust or repair the hoist unless qualified to perform such adjustments or repairs.

**The hoists are intended for general industrial use for moving loads within their load ratings. Prior to installation and operation, the user should review the application for abnormal environmental or handling conditions.**

#### **ADVERSE ENVIRONMENTAL CONDITIONS**

Do not use the hoists in areas containing flammable vapors, liquids, gasses or any combustible dust or fibers. Do not use the hoist in highly corrosive, abrasive, wet environments or in applications involving exposure to temperatures below -10 or above 130 °F.

#### **MOVING HAZARDOUS LOADS**

The hoists are not recommended for lifting materials that could cause widespread damage if dropped. The lifting or moving of materials that could explode or cause chemical or radioactive contamination requires fail-safe, redundant supporting devices that are not incorporated into these hoists.

# SPECIFICATIONS

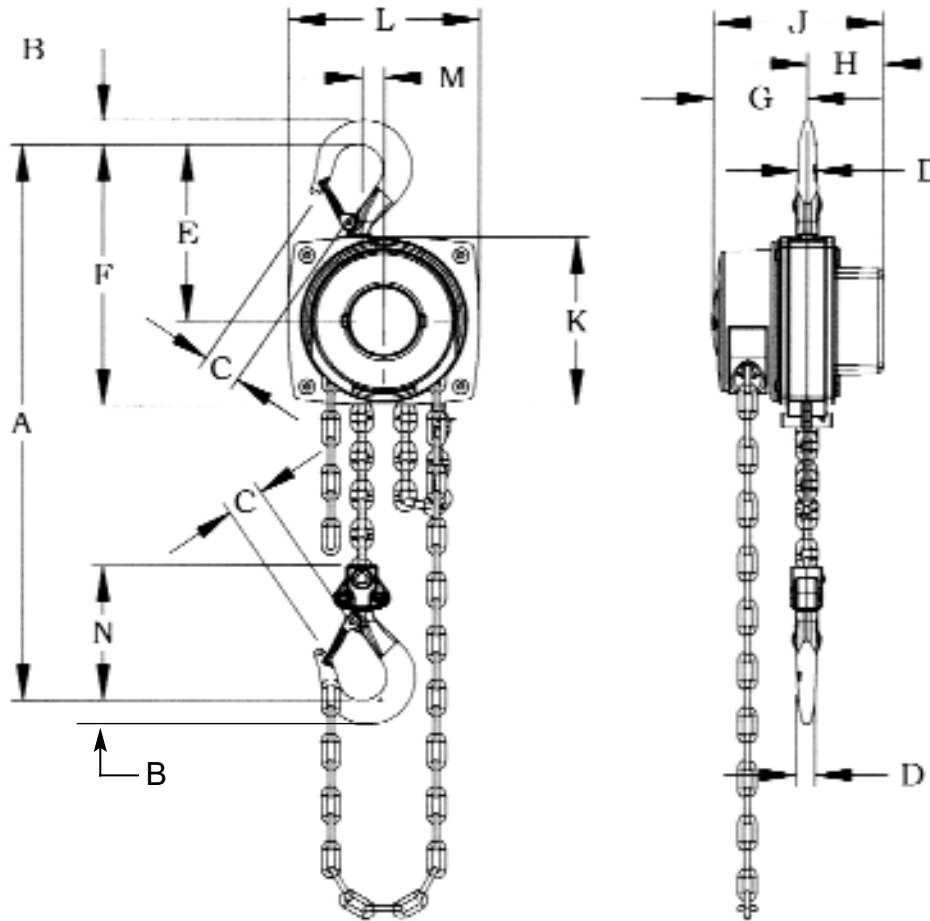


Figure 1 - Specifications

Product Code	Load Rating (Tons)	Lift (Ft.)	Net Weight (lbs.)	Hand Chain Pull to Lift Rated Load (lbs)	Hand Chain Overhauled to Lift Load One Foot (ft)	Dimensions (in.)													
						A	B	C	D	E	F	G	H	J	K	L	M	N	
5623		8	19.5																
5624	1/2	12	21.0	44	30	11 13/16	11/16	15/16	7/16	5 1/2	8 1/16	3 7/8	2 3/8	6 1/4	5 1/4	5 13/16	15/16	4 5/16	
5625		20	23.4																
5626		8	28.7																
5627	1	12	30.7	54	49	14	7/8	1 1/8	9/16	6 7/16	9 1/2	4 3/16	2 3/4	6 15/16	6 1/8	6 7/8	15/16	4 15/16	
5628		20	34.8																
5629		8	44.1																
5630	2	12	47.6	74	71	15 9/16	1 3/16	1 3/8	13/16	7 9/16	11 1/4	4 3/4	3 1/4	8	7 3/16	8	1 1/4	6 1/8	
5631		20	54.7																
5635		8	61.7																
5636	3	12	67.5	92	87	20 1/2	1 1/2	1 9/16	1	8 7/8	13 3/16	5 1/16	3 3/4	8 13/16	8 11/16	9 13/16	1 5/16	7	
5637		20	79.2																
5639		8	83.8																
5640	5	12	95.4	76	174	25 3/16	1 3/4	1 7/8	1 3/16	9 1/2	13 13/16	5 1/16	3 3/4	8 13/16	8 11/16	9 13/16	1 3/16	11 3/16	
5641		20	118.6																
5643		8	156.6																
5644	10	12	175.020	102	261	32 1/2	2 11/16	2 11/16	1 9/16	12 13/16	17 1/8	5 1/16	3 3/4	8 13/16	8 11/16	9 13/16	5 3/8	15 13/16	
5654		20	8.8																

## GENERAL INFORMATION

CM® Hurricane hand operated chain hoists are highly versatile materials handling equipment that can be used to effectively lift loads. The frame and covers are made from steel stampings. Internal gears are made of high grade, heat treated steel. Shielded ball bearings or bushings support the heat treated steel liftwheel. Latch type, forged steel upper and lower hooks are standard. A dry type friction brake that does not include pawls and ratchet found in similar hoists provides positive load control and will suspend the load at any point.

Hoists with load ratings of 1/2, 1, 2, 3, 5 and 10 ton are available and this manual applies to all of these units. Standard lifts are 8, 12 and 20 feet and hoists with longer lifts are available on a special, per order basis. Plated steel hand chain is provided with a drop that is 2 feet less than the lift of the hoist.

CM® Hurricane hand operated hoists are built in accordance with the specifications contained herein and at the time of manufacture complies with our interpretation of the American Society of Mechanical Engineers (ASME) Standard B30.16, "Overhead Hoists". Copies of this standard can be obtained from ASME Order Department, 22 Law Drive, Box 2300, Fairfield, NJ 07007-2300, USA.

This manual contains important information to help you properly install, operate and maintain your CM® Hurricane Hoist for maximum performance, economy and safety.

Please study its contents thoroughly before putting your hoist into operation. By practicing correct operating procedures and by carrying out the recommended preventive maintenance suggestions, you will be assured of long, dependable and safe service.

After you have completely familiarized yourself with the contents of this manual, we recommend that you carefully file it for future reference.

## CM® REPAIR/REPLACEMENT POLICY

All Columbus McKinnon (CM®) Hurricane Hoists are inspected and performance tested prior to shipment. If any properly maintained hoist develops a performance problem, within one year of shipment, due to a material or workmanship defect, as verified by CM®, repair or replacement of the unit will be made to the original purchaser without charge. This repair/replacement policy applies only to CM® Hurricane Hoists installed, maintained and operated as outlined in this manual, and specifically excludes hoists subject to normal wear, abuse, improper installation, improper or inadequate maintenance, hostile environmental effects and unauthorized repairs/modifications.

We reserve the right to change materials or design if, in our opinion, such changes will improve our product. Abuse, repair by an unauthorized person, or use of non-CM® replacement parts voids the guarantee and could lead to dangerous operation. For full Terms of Sale, see Sales Order Acknowledgement. Also, refer to the back cover for Limitations of Warranties, Remedies and Damages, and Indemnification and Safe Operation.

## UNPACKING

After opening the carton, the hoist should be carefully inspected for damage which may have occurred during shipment or handling. Check the hoist frame for dents or cracks and inspect the load chain for nicks and gouges. If shipping damage has occurred, refer to the packing list envelope on the carton for claim procedure.

### WARNING

Operating a unit with obvious external damage may cause load to drop and that may result in personal injury and/or property damage.

#### TO AVOID INJURY:

Carefully check unit for external damage prior to installation.

## INSTALLATION

Before installing the hoist:

1. Determine the weight of the load that is to be lifted or moved and make sure it does not exceed the rated load of the hoist.
2. Make sure the support or sling to which the upper hook is attached is strong enough to hold several times the weight of the load to be lifted or moved. Be sure the hoist is solidly held in the uppermost part of the upper hook and the latch is closed and not in contact with the support or sling.

### WARNING

Attaching the hoist to an inadequate support may allow the hoist and load to fall and cause injury and/or property damage.


#### TO AVOID INJURY:

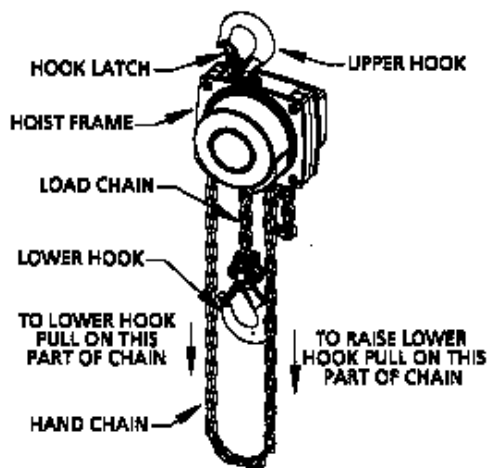
Make sure the structure has sufficient strength to hold several times the hoist and its rated load.

3. The area in which the hoist is installed must provide sufficient room for:
  - The operator to operate the hand chain.
  - The operator and other personnel to stand clear of the load at all times.
  - Firm footing for the operator.
  - Clearance between the hoist frame and any object.
  - The frame to be free to swivel on the upper hook.

## OPERATING INSTRUCTIONS

After mounting and before placing in service, check the hoist for proper operation. To operate the hoist, pull on the hand chain as indicated below.

 <b>WARNING</b>
If not used as directed, hoist may cause injury.
<b>TO AVOID INJURY:</b>
Use only as directed below. Read all instructions before operating the CM® Hurricane Hoist.



**Figure 2 - Main Parts of Hurricane Hoist**

Operate the hoist with no load and then a light load of approximately 50 pounds to make sure it operates properly and the brake holds the load when the hand chain is released, then operate with a rated load as shown on the nameplate.

### GENERAL

- The hoist must always be rigged to lift in a straight line from hook to hook. The hoist must always be free to swivel on the upper hook. Under no condition should the hoist frame be allowed to bear on any support when in use, as this would cause bending of the hook or frame and damage the unit.
- When preparing to lift or move a load, be sure that the attachments to both hooks are firmly seated in the saddles of the hooks. Avoid off center loading of any kind especially loading on the tip of the hook. Also, observe that the chain hangs straight (without twist) from hoist to lower hook.
- When lifting, raise the load only enough to clear the floor or support, and check to be sure brake will hold load and that attachments to the load are firmly seated. Continue the lift only after you are assured the load is free of all obstructions.
- Do not load beyond the rated capacity of the hoist. Rated capacity can be achieved with the following hand chain pulls:

Hoist Rated Load (Tons)	Hand Chain Pull To Lift Rated Load (Lbs.)
1/2	65
1	78
2	83
3	92
5	80
10	102


Since these hand chain pulls can easily be applied by one person, under no circumstances should more than one person operate the hoist hand chain.

This hoist is equipped with a load limiting device. The presence of this device does not authorize the application of overloads. Always select a hoist whose load rating is in excess of the load to be handled. If the handwheel slips while operating, reduce load or use correct capacity hoist.

### NOTE:

The load limiting device incorporated in this hoist is effective only when the overload is being lifted or pulled through the operation of the handwheel. It will not protect against externally applied overloads.

- Do not wrap load chain around the load or bring the load in contact with the hoist. Doing this will result in the loss of the swivel effect of the hook which could mean twisted chain and a jammed liftwheel. The chain could be damaged at the hook.
- Stand clear of all loads and avoid moving a load over the heads of other personnel. Warn personnel of your intention to move a load in their area.
- Do not leave the load in the air unattended.
- Do not lower the hook to a point where the chain becomes taut between the liftwheel and loose end connector.
- Do not run the lower hook block into the hoist frame. Frame and/or chain guide damage may result.
- The hoist has been designed for manual operation only.

 <b>WARNING</b>
Power operation may result in structural damage or premature wear that may cause a part to break and allow the load to fall.
<b>TO AVOID INJURY:</b>
Operate CM® Hurricane Hoists using hand power only.

- Do not use this or any other overhead materials handling equipment for lifting persons.
- Do not allow the load to bear against the hook latch. The latch is to help maintain the hook in position while the chain is slack before taking up slack chain.

## ⚠ WARNING

Allowing the load to bear against the hook latch and/or hook tip can result in loss of load.

### TO AVOID INJURY:

Do not allow the load to bear against the hook latch and/or hook tip. Apply load to hook bowl or saddle only.

13. Never operate the hoist when flammable materials or vapors are present. Sharp contact between metal parts can produce sparks that can cause a fire or explosion.

14. STAY ALERT! Watch what you are doing and use common sense. Do not use the hoist when you are tired, distracted or under the influence of drugs, alcohol or medication causing diminished control.

## MAINTENANCE

### INSPECTION

To maintain continuous and satisfactory operation, a regular inspection procedure must be initiated so that worn or damaged parts can be replaced before they become unsafe. The intervals of inspection must be determined by the individual application and are based upon the type of service to which the hoist will be subjected. The inspection of hoists is divided into two general classifications designated as "frequent" and "periodic".

#### Frequent Inspections:

These inspections are visual examinations by the operator or other designated personnel. The frequent inspections are to be performed daily and shall include the following items:

- a. Braking mechanisms for evidence of slippage-daily.
- b. Load Chain for lubricant, wear, damaged links or foreign material-daily (See LOAD CHAIN, page 5).

Any deficiencies noted are to be corrected before the hoist is returned to service.

#### Periodic Inspections:

These are inspections by an appointed person who makes records of apparent external conditions to provide the basis for a continuing evaluation. For normal service, the periodic inspections are to be performed yearly and for heavy service, the periodic inspections are to be performed semi-annually.

Due to the construction of the hoist, it will be necessary to partially disassemble the unit to perform the periodic inspections. The periodic inspections are to include those items listed under frequent inspections as well as the following:

- a. Chain for excessive wear or stretch (See page 5).
- b. Worn, cracked or distorted parts such as hook blocks, hand chain guides, chain guide, stripper, loose end connector, shafts, gears, bushings and bearings.

- c. Inspect for wear on the tip of the driver, stops on handwheel and pockets of the liftwheel and hand wheel.
- d. Loose or missing screws, nuts, pins or cotter pins.
- e. Inspect brake components for worn, glazed or contaminated brake disc and scoring of the brake hub and brake plate. If the thickness of the friction washer is less than 1/32 inch, it should be replaced.
- f. Replace missing or damaged warning labels.
- g. Corroded, stretched or broken brake spring.
- h. Hooks-dye penetrant, magnetic particle or other suitable crack-detecting inspections should be performed at least once a year, if external conditions indicate there has been unusual usage.

Any deficiencies noted are to be corrected before the hoist is returned to service. Also, the external conditions may show the need for more detailed inspection which, in turn, may require the use of nondestructive-type testing.

Any parts that are deemed unserviceable are to be replaced with new CM® parts before the unit is returned to service. It is very important that the unserviceable parts be destroyed to prevent possible future use as a repair item and properly disposed of.

### Hook Inspection

Hooks damaged from chemicals, deformation or cracks, or that have more than a 10° twist from the plane of the unbent hook, excessive opening or seat wear, must be replaced. Also, hooks that are opened to the extent that the latch does not engage the tip must be replaced. Any hook that is twisted or has excessive throat opening indicated abuse or overloading of the hoist. Other load sustaining parts should be inspected for damage.

Check to assure the latch is not damaged or bent and that it operates properly. It should have sufficient spring pressure to keep it tightly against the tip of the hook and allow it to spring back to the tip when released. If the latch does not operate properly, replace the latch.

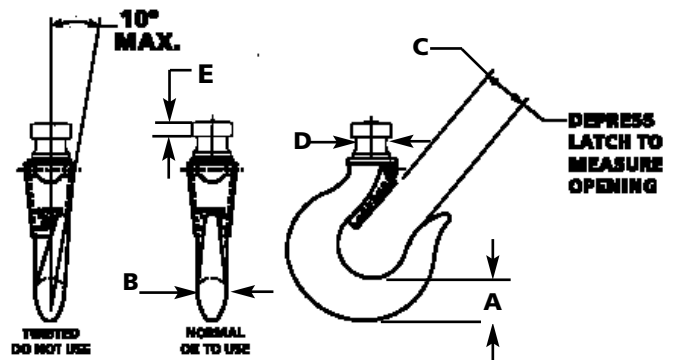


Figure 3 - Hook Inspection

Hoist Capacity (tons)	Critical Hook Dimensions (in.)				
	A	B	C	D	E
1/2	0.612	0.393	1.062	0.390	0.213
1	0.787	0.730	1.250	0.531	0.230
2	1.012	0.843	1.500	0.670	0.319
3	1.346	0.967	1.732	0.769	0.349
5	1.772	1.181	1.850	1.102	0.472
10	2.657	1.575	2.677	1.378	0.669

Replace hook if opening is greater than "C" or if the thickness at "A", "B", "D", or "E" is less than the dimensions listed in the chart (see Figure 3, page 4).

## LOAD CHAIN

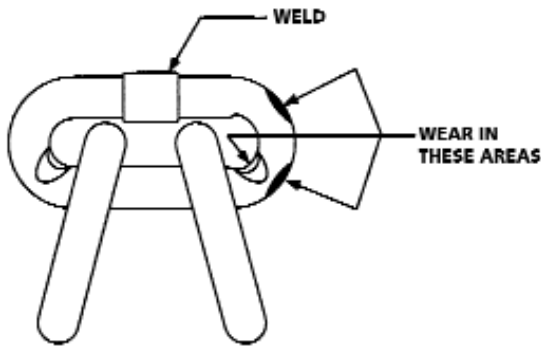
Chain should feed smoothly into and away from the hoist. If chain binds, jumps or is noisy, first clean and lubricate it (See below). If trouble persists, inspect chain and mating parts for wear, distortion or other damage.

### Chain Inspection

First clean chain with a non-caustic/non-acid type solvent and make a link by link inspection for nicks, gouges, twisted links, weld spatter, corrosion pits, striations (minute parallel lines), cracks in weld areas, wear and stretching. Chain with any one of these defects must be replaced.

#### Figure 4 - Chain Inspection

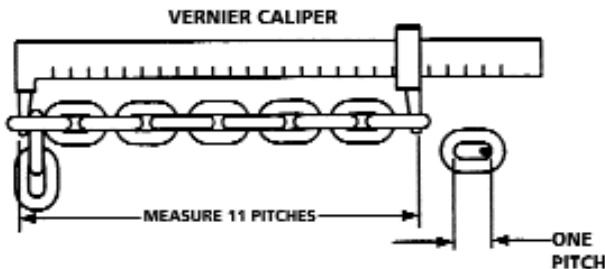
Slack the portion of the chain that normally passes over the liftwheel. Examine the interlink area for the point of maximum wear (polishing). Measure and record the stock diameter



at this point of the link. Then measure stock diameter in the same area on the link that does not pass over the liftwheel (use the link adjacent to the loose end connector for this purpose). Compare these two measurements. If the stock diameter of the worn link is 0.010 inch, or more, less than the stock diameter of the unworn link, the chain must be replaced.

#### Figure 5 - Chain Inspection

Also check chain for stretch and wear using a vernier caliper as shown in Figure 5. Select an unused, unstretched section



of chain (usually at the loose end) and measure and record the length over 11 chain links (pitches). Measure and record the same length on a worn section of chain. If the result (amount of stretch and wear) is greater than 0.145 inch, the chain must be replaced.

Use only a "Knife-Edge" caliper to eliminate the possibility of a false reading by not measuring full pitch length.

## WARNING

Using other than CM® supplied load chain may cause the chain to jam in the hoist and/or allow the chain to break and the load to drop.

### TO AVOID INJURY:

Due to size requirements and physical properties, use only CM® supplied load chain in the the CM® Hurricane Hoist.

Worn chain can be an indication of worn hoist components. For this reason, the hoist's chain guide, stripper and lift-wheel should be examined for wear and replaced as necessary when replacing worn chain (See DISASSEMBLY and ASSEMBLY, page 6).

Also, the load chain is specially heat treated and hardened and should never be repaired.

**IMPORTANT:** Do not use replaced chain for other purposes such as lifting or pulling. Load chain may break suddenly without visual deformation. For this reason, cut replaced chain into short lengths to prevent use and then dispose of it.

**NOTE:** The above method of inspecting load chain can also be used to inspect the hand chain for stretch and wear.

### Chain Lubrication

A small amount of lubricant will greatly increase the life of load chain. Do not allow the chain to run dry. Keep it clean and lubricate at regular intervals with Lubriplate® Bar and Chain Oil 10-R (Fiske Bros. Refining Co.) or equal lubricant. Normally, weekly lubrication and cleaning is satisfactory, but under hot and dirty conditions, it may be necessary to clean the chain at least once a day and lubricate it several times between cleanings .

When lubricating the chain, apply sufficient lubricant to obtain natural run-off and full coverage, especially in the interlink area.

## WARNING

Used motor oils contain known carcinogenic materials.

### TO AVOID INJURY:

Never use used motor oils as a chain lubricant. Only use Lubriplate® Bar and Chain Oil 10-R as a lubricant for the load chain.

### LUBRICATION

Hoist normally requires no additional lubrication except when it had been disassembled for cleaning or repairs.

**IMPORTANT:** Brake is designed to operate dry. Do not use any grease or lubricant on the braking surfaces. When lubricating parts adjacent to the brake, do not use an excessive amount of lubricant which could seep onto the brake surfaces.



## WARNING

Using any grease or lubricant on the braking surfaces will cause brake slippage and loss of load control which may result in injury and/or property damage.

### TO AVOID INJURY:

Do not use any grease or lubricant on braking surfaces. The brake is designed to operate dry.

If hoist is disassembled for service, repair or inspection, remove and clean existing grease from unit and replace with approximately 1 oz. of Poliplex 2 (Century Lubricants Co.) grease or equal lubricant to the exterior surface of the drive shaft, gears, internal thread of brake hub, surface of liftwheel bushings (1/2 ton unit), bushings in the gear side plate and gear cover, internal and external surfaces of handwheel bushings and rim of handwheel cover.

**IMPORTANT:** To assure long life and top performance, be sure to lubricate the various parts of the hoist using the lubricants specified above. If desired, these lubricants can be purchased from CM® (See Figure 8, page 8).

## REPLACING LOAD CHAIN

To replace the load chain, remove the lower hook block (656-17) from the chain. Disconnect the chain from the loose end connector (656-7) and operate the hoist in the lowering direction to run the chain out of the hoist. Feed a length of soft wire up and over the liftwheel. Attach the wire to the new load chain so that the chain will be entering the center of the hoist frame. Position the chain so that the first link to engage the liftwheel is an upstanding link and the weld on all upstanding links will be away from the liftwheel. Pull on the wire until the chain engages the liftwheel. Rotate the handwheel until the chain comes out on the loose side of the hoist. Attach the chain to the loose end connector and attach the lower hook block assembly to the chain so that the lower hook is directly below the upper hook.

## DISASSEMBLY AND ASSEMBLY

The parts list and exploded view on pages 12 and 13 show the general arrangement and name of the parts of the CM® Hurricane Hand Hoist. These should be used when disassembling and reassembling the hoists so that all parts are properly installed.

1. To inspect or replace the brake disc, it is necessary to partially disassemble the hoist. Remove the hand wheel cap (656-36) and the handwheel cover support (656-35). Lift off the handwheel cover (656-34A) and slide it down the hand chain (656-31). Lift the hand chain out of the handwheel (656-27) pockets. Remove the handwheel nut (656-30A) and load-limiting driver (656-29A) from the drive shaft (656-10). Remove the hand- wheel (656-27), handwheel bushing (656-26) and brake spring (656-25). Remove the brake hub (656-24) and replace it if the friction surface is excessively scored. Check the friction surface of the brake

plate (656-22A) and replace it if it is excessively scored. Examine the brake disc (656-23) for wear, scoring, glazing and contamination. If the friction washer is worn down to a thickness of less than 1/32 inch or if it scored excessively, glazed or contaminated with foreign matter, replace it with a new disc.

After the brake disc is inspected or replaced, reassemble the hoist in reverse to the order given above and adjust the brake (See BRAKE SPRING INSTALLATION and BRAKE ADJUSTMENT, page 7).

2. To inspect or replace the liftwheel, chain guide or stripper, it is necessary to disassemble the hoist. Remove the load chain (See REPLACING LOAD CHAIN, above) and then remove the handwheel cap (656-36) and the handwheel cover support (656-35). Lift off the hand wheel cover (656-34A) and slide it down the hand chain (656-31). Lift the hand chain out of the hand wheel (656-27) pockets. Remove the handwheel nut (656-30A) and the load-limiting driver (656-29A) from the drive shaft (656-10). Remove the handwheel (656-27), handwheel bushing (656-26) and brake spring (656-25). Remove the brake hub (656-24) and brake disc (656-23). Remove the retaining ring and brake plate (656-22A) and the handwheel side plate (656-9), and slide out drive shaft (656-10). Remove the stripper (656-6) and chain guide (656-5). Examine the stripper, chain guide, liftwheel (656-8) and loose end connector (656-7) for wear and damage.

If the stripper, chain guide and/or loose end connector are worn or damaged they should be replaced. If the liftwheel is not worn or damaged, reassemble the hoist in reverse to the order given above. If the liftwheel is to be replaced, continue to disassemble the hoist.

**NOTE:** Two points of caution to be observed in disassembly and assembly of the gears:

- a Loose rollers are used in various locations in some units. Care must be taken so as to not lose or mis place these.
- b For proper operation, the correct number of rollers must be installed at the rotating points. Applying grease to the rollers will help hold them in position during assembly.

Remove the gear cover (656-1), end covers (656-4A) and gears (656-12). Remove the snap ring from the lift wheel gear (656-11) and remove the liftwheel gear. Remove the liftwheel and replace it. Check the gears and other parts for excessive wear, cracks and distortion. Replace parts as necessary and then reassemble the unit in reverse to the order in which it was disassembled. Adjust the brake (See BRAKE ADJUSTMENT, page 7) and install the load chain (See REPLACING LOAD CHAIN, above). After the hoist is completely reassembled, it must be tested for proper operation (See TESTING, page 8).

3. To replace hook latch, grind off head of rivet and drive it out. Remove and discard the latch and spring. Attach the new latch and spring using the roll pin provided in the latch kit.



## WARNING

IF BRAKE IS NOT PROPELY ADJUSTED, LOAD MAY SLIP DOWN AND CAUSE PERSONAL INJURY AND/OR PROPERTY DAMAGE.

### TO AVOID INJURY:

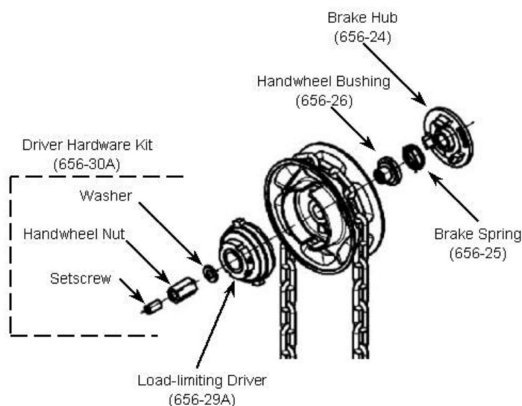
- ADJUST BRAKE AS DIRECTED HEREIN.

## BRAKE SPRING INSTALLATION

**NOTE:** For proper brake operation the brake spring must be preloaded as described below.

1. Locate the C-shaped arm on the brake spring (656-25) in the slot on the outside of the handwheel bushing (656-26).
2. Slide the handwheel bushing (656-26) onto the drive shaft (656-10) with the lower arm on the brake spring (656-25) located 90 degrees (1/4 turn) clockwise from the slot in the brake hub (656-24).
3. Slide the handwheel bushing (656-26) all the way onto the drive shaft (656-10) using a small screwdriver to move the arm on the brake spring (656-25) counterclockwise and into the slot on the brake hub (656-24).
4. The spring is now properly preloaded.

**NOTE:** The handwheel bushing must stay in place during the rest of the brake assembly and adjustment process to insure the arm on the brake spring stays engaged in the slot on the disc hub. If this arm becomes disengaged repeat this procedure.



## BRAKE ADJUSTMENT

To adjust the brake:

1. Remove the hoist from the supporting structure and lay it on a flat working surface with the handwheel facing up.
2. Remove the three screws securing the plastic center cap and remove the cap from the handwheel cover.
3. Block the load chain by inserting a screwdriver or pin through the load chain just below the hoist frame. Operate the handwheel in the up direction to remove the slack from the load chain, closing and locking the brake.  
**NOTE:** This brake must remain closed throughout the rest of this adjustment.
4. Rotate the handwheel slowly counterclockwise until it contacts a stop. Take care not to force the handwheel against the stop, unlocking the brake.

**NOTE:** This handwheel must remain in this position

throughout the rest of this adjustment.

5. Remove the setscrew from the center of the drive shaft.
6. Remove the handwheel retaining nut and washer.
7. Remove the load-limiting driver.
8. Moving the driver plate of the load-limiting driver back and forth, locate the center of travel. Position the driver plate in this position.
9. Taking care to keep the driver plate in the center position, place the load-limiting driver on the splined shaft so the tips of the driver plate engage the slots in the handwheel.  
**NOTE:** It may be necessary to rotate the load limiting assembly 180 degrees (1/2 turn) to locate the spline location so that the tips of the driver plate engage the slots in the handwheel while maintaining the driver plate in the approximate center of its travel.
10. Hold the driver in this position and install the washer and nut. Tighten the nut to 20Nm (180 in.-lb.) and install and tighten the setscrew to lock this nut in place.
11. Check hoist operation by lifting and lowering a 50 pound (23 kg) load about 6 inches (150 mm). The hoist should operate smoothly when lifting and lowering and hold the load when the hand chain is released. Repeat this test with a rated capacity load. If the hoist is hard to operate in either direction or if the hoist does not hold the suspended load repeat this adjustment procedure.
12. Replace the center cap in the handwheel cover.

## ADJUSTMENT OF LOAD LIMITER

To adjust the load limiter:

1. Remove the hoist from the supporting structure and lay it on a flat working surface with the handwheel facing up.
2. Remove the three screws securing the plastic center cap and remove the cap from the handwheel cover.
3. Block the load chain by inserting a screwdriver or pin through the load chain just below the hoist frame. Operate the handwheel in the up direction to remove the slack from the load chain, closing and locking the brake.
4. Loosen the two radial setscrews in the side of the slotted round nut.
5. Change the adjustment of the load limiter by tightening the slotted round nut to increase the setting or by loosening the slotted round nut to decrease the setting.
6. Perform required load tests after adjustment. (See TESTING, page 8). Revise the adjustment if necessary.  
**NOTE:** The hoist should not be able to lift 150% of the rated capacity load if the load limiter has been properly adjusted.
7. Tighten the two radial setscrews in the slotted round nut.
8. Replace the center cap in the handwheel cover.

## LUBRICATION

If hoist is disassembled for service, repair or inspection, remove and clean existing grease from unit and replace with approximately 1 oz. of Poliplex 2 (Century Lubricants Co.) grease or equal lubricant to the exterior surface of the drive shaft, gears, internal thread of brake hub, surface of liftwheel bushings (1/2 ton unit), bushings in the gear side plate and gear cover, internal and external surfaces of handwheel bushings and rim of handwheel cover.

**Maintenance (Continued)**

**GEARS**

The gears (656-12) do not have to be timed and as a result, they do not have to be oriented in a certain position during assembly. However, for proper operation of the 1, 3, 5 and 10 ton units, one gear marked "A" and one gear marked "B" must be used.

**PREVENTIVE MAINTENANCE**

In addition to the inspection procedures, a preventative maintenance program should be established to prolong the useful life of the hoist and maintain its dependability and continued safe use. The program should

include the periodic inspections with particular attention being paid to the lubrication of various components using the recommended lubricants (See Figure 8).

**TESTING**

Prior to initial use, all repaired or used hoists that have not been operated for the previous 12 months shall be tested by the user for proper operation.

Test the unit first in the unloaded state and then with a light load of 100 pounds times the number of load supporting parts of load chains to be sure it operates properly and the brake holds the load when the hand chain is released; then test with a load of 125% of its rated capacity.

In addition, hoists in which load sustaining parts have been replaced must be tested with 125% of rated capacity by or under the direction of a designated person and a written report prepared for record purposes.

**NOTE:** Because this hoist is equipped with a load limiting device occasional slipping of the handchain wheel may occur when testing with 125 percent of rated load.

**NOTE:** For additional information on Inspection and Testing refer to ASME B30.16, "Overhead Hoists", obtainable from ASME Order Department, 22 Law Drive, Box 2300, Fairfield, NJ 07007-2300, U.S.A.

INSPECTOR'S REPORT	
ITEM	REMARKS (LIST DEFICIENCIES AND RECOMMENDED ACTION)
Inspector's	Date
Signature	Inspected
	Approved by
	Date

**Figure 7 - Recommended Inspector's Report**

RECOMMENDED LUBRICATION SCHEDULE*						
CM® HURRICANE HAND HOIST						
KEY NO. (SEE PAGES 12 & 13)	COMPONENT	TYPE OF LUBRICANT	** ORDER PART NO.	TYPE OF SERVICE AND FREQUENCY OF LUBRICATION		
				HEAVY	NORMAL	INFREQUENT
656-28	Load Chain	Lubriplate® Bar and Chain Oil 10-R	28619 (1 gal. can)	Daily	Weekly	Monthly
656-11 656-12 656-13 656-17	Gears and Bearing Surfaces of Upper and Lower Hook Knobs	Poliplex 2	28629 (1 lb. can)	When hoist is disassembled for cleaning or repairs		

\* This lubrication schedule is based on a hoist operating in normal environment conditions. Hoists operating in adverse atmospheres containing excessive heat, corrosive fumes or vapors, abrasive dust, etc., should be lubricated more frequently.

\*\* See page 12 for ORDERING INSTRUCTIONS.

**Figure 8 - Recommended Lubrication Schedule**

**Maintenance (Continued)**

**INSPECTION AND MAINTENANCE CHECK LIST  
HAND OPERATED HOIST**

Type of Hoist \_\_\_\_\_ Original Installation Date \_\_\_\_\_  
 Location \_\_\_\_\_ Manufacturer's Serial No. \_\_\_\_\_  
 Manufacturer \_\_\_\_\_  
 Capacity (Tons) \_\_\_\_\_

Item	Frequency of Inspection		Possible Deficiencies	OK	Action Required
	Frequent	Periodic			
	Daily	Every 3 Months			
Brake Mechanism	*	*	Slippage or excessive drift. Worn, glazed or contaminated brake discs. Thickness of friction washer less than 1/32 inch.		
Handwheel	*	*	Binding and does not move freely.		
Load Chain	*	*	Inadequate lubrication, excessive wear or stretch, cracked, damaged or twisted links, corroded or clogged with foreign material.		
Hooks	*	*	Excessive throat opening, twisted more than 10°, damaged or non-operating hook latch, chemical damage. Cracks (Use dye penetrant, magnetic or other suitable detection method at least once a year).		
Lower Hook Block, Upper Hook Block, Upper Hook Pin, Chain Guide, Bushings, Gears, Drive Shaft, Brake Hub and Brake Plate		*	Cracks, distortion, excessive wear, corrosion or build-up of foreign material.		
Tip of Driver, Inboard and Outboard Stops on Handwheel and Outboard Lugs on Brake Hub.		*	Cracks, distortion, excessive wear, corrosion or build-up of foreign material.		
Pockets of Liftwheel, Stripper and Side Plates		*	Cracks, distortion, excessive wear, corrosion or build-up of foreign material.		
Nuts, Screws, Pins and Cotter Pin		*	Cracks, bending, loose, stripped threads.		
Brake Spring		*	Corrosion, stretched or broken.		
Loose End Connector		*	Missing, cracked, not secured to chain, not properly positioned.		
Nameplate, Warning Labels and Warning Tube		*	Missing, damaged or illegible.		

**NOTE:** Refer to Maintenance and Inspection Sections of this manual for further details.

**FREQUENCY OF INSPECTION**

Frequent - Indicates items requiring inspection daily or before each use. These inspections may be performed by the operator if properly designated.

Periodic - Indicates items requiring inspection every three months. Inspections to be performed by or under the direction of a properly designated person. The exact period of inspection will depend on frequency and type of usage. Determination of this period will be based on the user's experience. It is recommended that the user begin with a quarterly inspection and extend the periods to semi-annually or annually based on the user's quarterly experience.

**NOTE:** This inspection and maintenance check list is in accordance with our interpretation of the requirements of the Safety Standard for Overhead Hoists ASME B30.16. It is, however, the ultimate responsibility of the employer/user to interpret and adhere to the applicable requirements of this safety standard.

**Figure 9 - Recommended Inspection and Maintenance Check List**

## Troubleshooting Chart

Symptom	Possible Cause(s)	Corrective Action
1. Hoist is hard to operate in either direction.	A) Load chain worn long to gage, thus binding between liftwheel and chain guide.	A) Check gage of chain (See page 5). Replace if worn excessively.
	B) Load chain rusty, corroded or clogged up with foreign matter such as cement or mud.	B) Clean by tumble polishing or using a non-caustic type solvent. Lubricate with Lubriplate® Bar and Chain Oil 10-R (Fiske Bros. Refining Co.) or equal lubricant.
	C) Load chain damaged.	C) Check chain for gouges, nicks, bent or twisted links. Replace if damaged.
	D) Liftwheel clogged with foreign matter or worn excessively, causing binding between the liftwheel and chain guide.	D) Clean out pockets. Replace if worn excessively.
	E) Hand chain worn long to gage, thus binding between handwheel and cover.	E) Check gage of chain (See page 5).
	F) Handwheel clogged with foreign matter or worn excessively, causing binding of chain between the handwheel and cover.	F) Clean out pockets. Replace if worn excessively.
	G) Liftwheel or gear teeth deformed.	G) Excessive overload has been applied. Replace damaged parts.
2. Hoist is hard to operate in the lowering direction.	A) Brake parts corroded or coated with foreign matter.	A) Disassemble brake and clean thoroughly. (By wiping with a cloth- not by washing in a solvent). Replace brake disc if gummy, visibly worn or coated with a foreign matter. Keep brake disc and brake surfaces clean and dry.
	B) Brake not properly adjusted.	B) Readjust Brake (See page 7).
	C) Chain binding.	C) See Items 1A, 1B and 1C.
3. Hoist is hard to operate in the hoisting direction.	A) Chain binding.	A) See Items 1A, 1B and 1C.
4. Hoist will not operate in either direction.	A) Driver or stops on handwheel broken.	A) Replace damaged part.
	B) Gears jammed.	B) Inspect for foreign matter in gear teeth.
5. Hoist will not operate in the lowering direction	A) Locked brake due to a suddenly applied load, shock load, or load removed by means other than by operating unit in the lowering direction.	A) With hoist under load keep chain taut, pull sharply on hand chain in the lowering direction to loosen brake.
	B) Chain binding.	B) See Items 1A, 1B and 1C.
	C) Lower hook all the way out. Load Chain fully extended.	C) Chain taut between the liftwheel and loose end connector. Operate unit in hoisting direction only.
6. Hoist will not operate in the hoisting direction.	A) Chain binding.	A) See Items 1A, 1B and 1C.
	B) Overload	B) If handwheel slips while operating, reduce load or use correct capacity hoist.
7. Hoist will not hold load in suspension.	A) Lower hook or load side of chain on wrong side of liftwheel.	A) Lower hook must be on same side of liftwheel as upper hook.
	B) Brake not properly adjusted.	B) Readjust Brake (See page 7).
	C) Driver or stops on handwheel broken.	C) See Item 4A.
	D) Worn brake parts.	D) Replace brake parts which are worn.
	E) Oily, dirty or corroded brake friction surfaces.	E) See Item 2A.



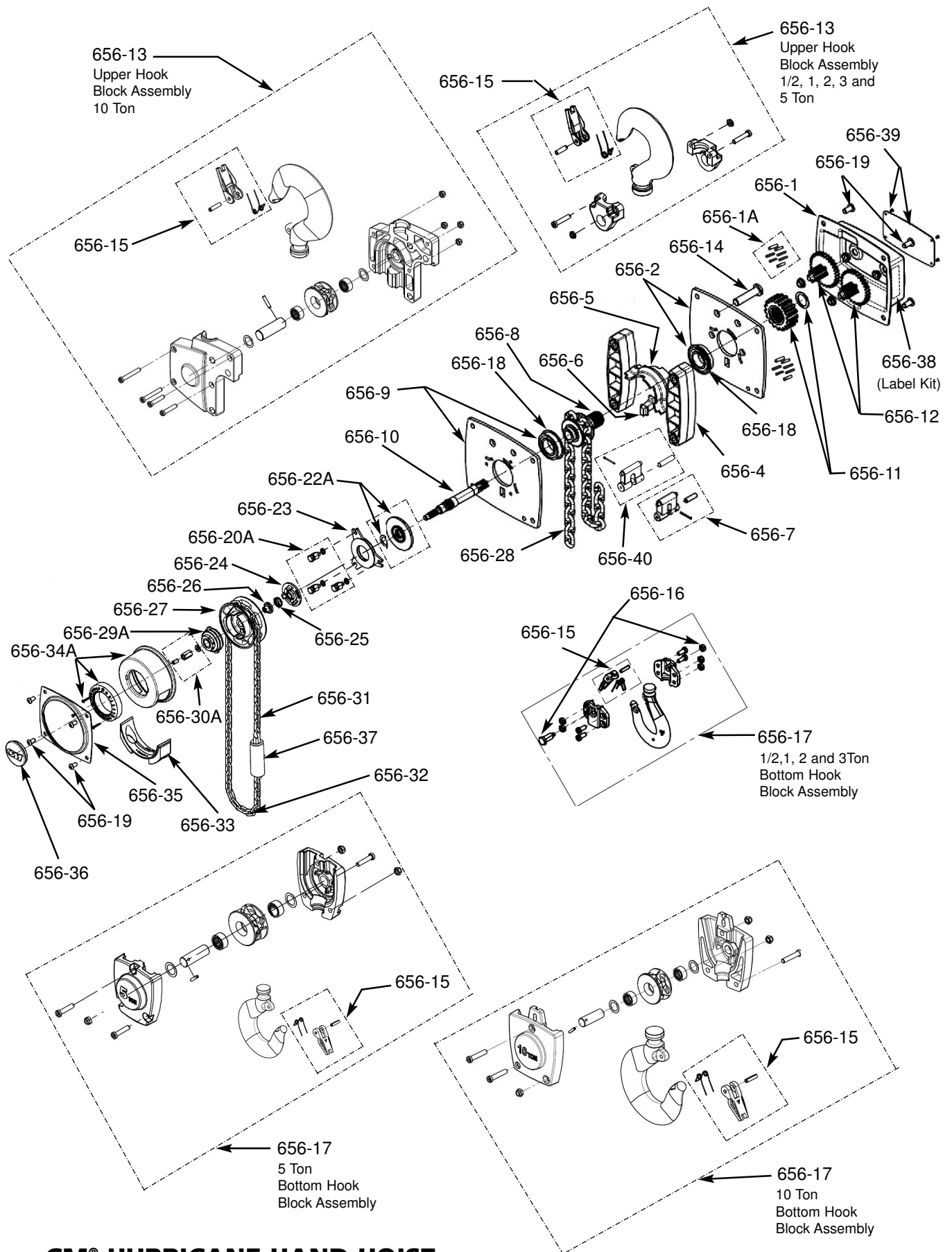
## Repair Parts List

Key	Description	Part Number						Qty
		1/2 Ton	1 Ton	2 Ton	3 Ton	5 Ton	10 Ton	
656-1	Gear Cover with Bushings	00400416	00400417	00400418	00400641	00400641	00400641	1
656-1A	Gear Set Roller Kit	---	---	---	65600001	65600001	65600001	1
656-2	Gearing Side Plate with Bushings & Bearing	00400419	00400420	00400421	00400642	65600002	00400642	1
656-4A	End Cover Assembly	00400355	00400267	00400305	00400472	00400472	00400472	2
656-5	Chain Guide	00400328	00400240	00400287	00400453	00400453	00400453	1
656-6	Chain Stripper	00400327	00400229	00400280	00400465	00400465	00400465	1
656-7	Loose End Connector Kit (with Pin and Cotter Pin)	00400422	00400423	00400424	00400643	00400643	00400643	1
656-8	Liftwheel	00400334	00400236	00400283	00400452	00400452	00400452	1
656-9	Handwheel Side Plate (with Bearing)	00400425	00400426	00400427	00400644	65600003	00400644	1
656-10	Drive Shaft	00400774	00400743	00400751	00400761	00400761	00400761	1
656-11	Liftwheel Gear (with Retaining Ring)	00400428	00400429	00400430	00400645	00400645	00400645	1
656-12	Reduction Gear Set	00400431	00400432	00400433	00400646	00400646	00400646	1
656-13	Upper Hook Block Assembly	00400344	00400272	00400281	00400478	00400512	00400524	1
656-14	Upper Hook Pin	00400354	00400270	00400307	00400482	00400514	00400482	1
656-15	Hook Latch Kit	00400449	00400450	00400451	00400647	65600004	65600005	2
656-16	Lower Hook Chain Pin and Nut	00400434	00400435	00400436	00400648	---	---	1
656-17	Lower Hook Block Assembly	00400342	00400274	00400309	00400480	00400499	00400517	1
656-18	Liftwheel Bearing	00400329	09151118	09151109	09151121	09151121	09151121	2
656-19	Cover Hardware Kit (8 Screws)	00400437	00400437	00400438	00400649	00400649	00400649	1
656-20A	Brake Hardware Kit (Stand-offs & Lockwashers)	65600006	65600007	65600008	65600009	65600009	65600009	1
656-22A	Brake Plate (with Retaining Ring)	65600010	65600010	65600011	65600012	65600012	65600012	1
656-23	Brake Disc	00400848	00400848	00400849	00400849	00400849	00400849	1
656-24	Brake Hub	00400742	00400742	00400764	00400764	00400764	00400764	1
656-25	Brake Spring	00400746	00400746	00400767	00400767	00400767	00400767	1
656-26	Handwheel Bushing	00400745	00400745	00400765	00400765	00400765	00400765	1
656-27	Handwheel	00401060	00400951	00400889	00400880	00400880	00400880	1
656-28	Load Chain (Specify Length Required)	85834 (5 x 15•T8)	85959 (6 x 18•T8)	635131 (8 x 24•T8)	85960 (10 x 30•T8)	85960 (10 x 30•T8)	85970 (10 x 30•T10)	---
656-29A	Load-Limiting Driver	00400686	00400686	00400890	00400891	00400891	00400891	1
656-30A	Driver Hardware Kit	65600013	65600013	65600014	65600014	65600014	65600014	1
656-31	Hand Chain (Specify Length Required)	04307654	04307654	04307654	04307654	04307654	04307654	---
656-32	Hand Chain Connecting Link	00404733	00404733	00404733	00404733	00404733	00404733	1
656-33	Hand Chain Guide	00400346	00400263	00400301	00400468	00400468	00400468	1
656-34A	Handwheel Cover Asm	65600015	65600016	65600017	65600018	65600018	65600018	1
656-35	Handwheel Cover Support	00400349	00400266	00400304	00400470	00400470	00400470	1
656-36	Handwheel Cap	00400415	00400415	00400415	00400415	00400415	00400415	1
656-37	Warning Tube	22296	22296	22296	22296	22296	22296	1
656-38	Warning Label Kit, 3 Labels	56814	56815	56816	56825	56825	56825	1
656-39	Nameplate Kit (with Drive Screws)	00400439	00400440	00400444	65600019	65600020	65600021	1
656-40	Load Chain Anchor Kit (with Pin and Cotter Pin)	---	---	---	---	65600022	---	1

### ORDERING INSTRUCTIONS

**The following information must accompany all correspondence and orders for replacement parts.**

1. Hoist rated load from nameplate.
2. Serial number of the hoist stamped on nameplate.
3. Length of lift.
4. Key number of part from parts list.
5. Number of parts required.
6. Part name from parts list.
7. Part number from parts list.



**CM® HURRICANE HAND HOIST  
EXPLODED VIEW**

# Seguridad: su responsabilidad...



## ADVERTENCIA

- NO ELEVE CARGAS SUPERIORES A LA CARGA NOMINAL.
- HÁGALO FUNCIONAR SÓLO MANUALMENTE (UN OPERARIO).

## 1

### ELIJA EL POLIPASTO ADECUADO AL TRABAJO QUE VAYA A REALIZAR...

Seleccione un polipasto con la capacidad adecuada al trabajo a realizar. Sea consciente de la capacidad de su polipasto y del peso de las cargas.

Utilice el polipasto adecuado para las cargas.

Tenga también en cuenta, a la hora de seleccionar el polipasto, el tamaño y tipo de carga, los accesorios que vaya a utilizar y el periodo de uso.

No se olvide que aunque el polipasto se ha diseñado para facilitar el transporte de cargas, si no se extreman las precauciones, no sólo se pondrá en peligro la integridad del operario, sino la de la carga también.



## ADVERTENCIA

- 1. NO PONGA EN FUNCIONAMIENTO UN POLIPASTO QUE FUNCIONE MAL O SEA DEFECTUOSO.
- 2. NO UTILICE POLIPASTOS CON LA CADENA DESGASTADA, TORCIDA O DAÑADA.

## 2

### INSPECCIÓN

Compruebe visualmente todos los polipastos antes de utilizarlos, además de las comprobaciones de mantenimiento periódicas.

Compruebe que las leyendas de advertencias sean legibles.

Anote cualquier deficiencia y comuníquelo al supervisor. Asegúrese de colocar un cartel de advertencia para inutilizar cualquier polipasto defectuoso hasta que se repare.



Nunca utilice un polipasto que no funcione correctamente.

No utilice polipastos con eslabones rotos, deformados, desgastados excesivamente, corroidos o con intrusión de materiales extraños.

Engrase adecuadamente la cadena de carga.

No utilice ganchos doblados, desgastados o con la boca más abierta de lo normal. Si el cierre no cierra correctamente la boca del gancho no se deberá utilizar el polipasto.

Compruebe que la cadena esté limpia para que no se introduzca suciedad en el mecanismo del polipasto.

Compruebe el freno para que no se produzcan deslizamientos de la carga.



## ADVERTENCIA

- NO TIRE EN ÁNGULO. ASEGÚRESE DE QUE EL POLIPASTO Y LA CARGA ESTÁN EN LÍNEA RECTA.
- NO UTILICE LA CADENA COMO ESLINGA DE CARGA.

## 3

### UTILICE EL POLIPASTO ADECUADAMENTE

Asegúrese de que el polipasto está firmemente sujeto en la parte superior del arco del gancho.



Asegúrese de que el polipasto y la carga están en línea recta. No tire en ángulo.



Asegúrese de que la carga queda enganchada correctamente. No coloque carga en la punta del gancho. No cargue el cierre del gancho. El gancho sirve para evitar que se suelte la carga si la cadena oscila.



No haga funcionar el polipasto apoyando la cabeza contra un objeto. Eleve la carga son suavidad. No la suba a tirones.



## ADVERTENCIA

- NO ELEVE PERSONAS NI CARGAS SOBRE PERSONAS.

## 4

### EXTREME SIEMPRE LAS PRECAUCIONES

No utilice el polipasto para transportar personas.

Asegúrese de que no haya nadie cerca al elevar una carga.

No quite, ni tape las leyendas de advertencia.



## 5

### OBLIGACIONES DEL OPERARIO

#### LIMPIEZA

Mantenga limpios los polipastos de humedad, suciedad o polvo ya que afectarán a la seguridad o funcionamiento del equipo.

#### ENGRASE

Mantenga la cadena correctamente engrasada.

#### DESPUÉS DE UNA REPARACIÓN

Pruebe el polipasto antes de volver a ponerlo en funcionamiento.



**SI SE HACE CASO OMISO DE LAS ADVERTENCIAS INDICADAS EN ESTE MANUAL, EL OPERARIO O EL PERSONAL PODRÍAN RESULTAR GARVEMENTE LESIONADOS POR CARGAS QUE SE SUELTEN O POR COMPONENTES AVERIADOS DEL POLIPASTO.**

## INFORMACIÓN GENERAL DE SEGURIDAD



### ADVERTENCIA

El uso incorrecto de un polipasto puede crear situaciones de peligro potenciales que, en caso de no evitarse, podrían causar graves daños personales e incluso la muerte. Para evitar dichas situaciones:

1. **NO** ponga en funcionamiento un polipasto que funcione mal o sea defectuoso y cuyo funcionamiento no sea el habitual.
2. **NO** ponga en funcionamiento el polipasto hasta que no haya leído con detenimiento y comprendido el presente manual.
3. **NO** ponga en funcionamiento un polipasto modificado.
4. **NO** eleve o arrastre más carga que la especificada para el polipasto.
5. **NO** utilice un polipasto dañado o que **no** funcione correctamente.
6. **NO** utilice el polipasto si la cadena de carga está desgastada, dañada, torcida o doblada.
7. **NO** utilice el polipasto para elevar o transportar personas.
8. **NO** eleve carga por encima de personas y asegúrese que todas ellas permanezcan retiradas de la carga.
9. **NO** intente alargar la cadena de carga ni repararla en caso de que esté dañada.
10. Proteja la cadena de salpicaduras de soldadura o de otros contaminantes que puedan dañarla.
11. **NO** utilice la cadena de carga como si fuera una eslinga de carga ni rodee con la misma la mercancía para transportarla.
12. **NO** coloque todo el peso de la carga en la punta del gancho ni en el dispositivo de fijación del mismo.
13. **NO** coloque ningún tipo de carga hasta que la cadena de carga esté correctamente asentada sobre la polea.
14. **NO** coloque ningún tipo de carga si los rodamientos no permiten que el peso de la carga se distribuya por igual en todas las cadenas de soporte.
15. **NO** haga funcionar el polipasto más allá del límite de la trayectoria de la cadena de carga.
16. **NO** deje mercancía cargada en el polipasto sin haber tomado las precauciones de seguridad necesarias.
17. **NO** utilice la cadena de carga o los ganchos como toma de tierra.
18. **NO** permita que la cadena de carga o los ganchos entren en contacto con electrodos de soldadura electrificados.
19. **NO** retire ni oculte los símbolos y recomendaciones de advertencia del polipasto.
20. **NO** ponga en funcionamiento el polipasto hasta que no esté correctamente asegurado a un soporte.
21. **NO** ponga en funcionamiento el polipasto hasta que las eslingas de carga u otros dispositivos de carga autorizados no estén correctamente ajustados y asentados en el asiento del gancho.
22. **NO** ponga en funcionamiento un polipasto cuando los ganchos no estén alineados en línea recta en la dirección de la carga.
23. **NO** levante cargas que no estén equilibradas o cuyo sostenimiento no sea seguro.
24. **NO** ponga en funcionamiento el polipasto hasta que todas las personas estén lejos de la carga.
25. Informe del polipasto que presente un funcionamiento defectuoso o irregular y no lo utilice hasta que haya sido reparado.
26. **NO** ponga en funcionamiento un polipasto sin pegatinas ni placas de advertencia o bien, si las mismas son ilegibles.
27. Familiarícese con los controles de funcionamiento, procedimientos y advertencias.



### PRECAUCIÓN

El uso incorrecto de un polipasto puede crear situaciones de peligro potenciales que, en caso de no evitarse, podrían causar graves daños personales e incluso la muerte. Para evitar dichas situaciones, el operario debe:

1. Mantenerse de pie con firmeza o bien, asegurarse cuando vaya a poner en funcionamiento un polipasto.
2. Comprobar el funcionamiento del freno, deberá tensar el polipasto antes de proceder con la carga de la mercancía.
3. Utilizar el dispositivo de fijación de ganchos. Estos se utilizan para asegurar eslingas, cadenas, etc., en casos en los que la cadena esté algo destensada.
4. Asegurarse de que los dispositivos de fijación de ganchos están cerrados y no soportan de ninguna manera el peso de la carga.
5. Asegurarse de que la carga puede moverse libremente y retirar cualquier obstáculo que pueda interferir en la trayectoria de la misma.
6. Evitar el balanceo de la carga o los ganchos.
7. Inspeccionar el polipasto con regularidad, cambiar cualquier pieza dañada o desgastada y llevar a cabo los registros de mantenimiento adecuados.
8. Utilizar piezas de repuesto recomendadas por Columbus McKinnon en caso de realizar cualquier tipo de reparaciones en la unidad.
9. Engrasar la cadena tal y como se indica en el presente manual.
10. **SOLO** debe ponerlo en funcionamiento de forma manual.
11. **NO** permitir que más de un operario utilice la palanca al mismo tiempo. El uso por parte de más de un operario puede ocasionar problemas de sobrecarga en el polipasto.
12. **NO** distraerse mientras utiliza el polipasto.
13. **NO** deje que el polipasto roce ningún tipo de estructuras, objetos u otros polipastos cuando esté en funcionamiento.
14. **NO** realizar ningún tipo de ajuste o reparaciones en el polipasto a menos que dichos ajustes o reparaciones las realice personal cualificado.

**Los polipastos están proyectados para uso general industrial para el movimiento de cargas dentro de su rango de capacidad de carga. Previamente a su instalación y puesta en funcionamiento, el usuario debería revisar la aplicación para detectar si existen condiciones de manejo inadecuadas o el entorno no es el adecuado.**

#### ENTORNO INADECUADO

No utilice los polipastos en lugares con vapores, gases o líquidos inflamables o cualquier otro combustible, polvo o fibras. No utilice el polipasto en ambientes altamente corrosivos, abrasivos, húmedos o en usos que impliquen exposición a temperaturas por inferiores a -12 o superiores a 55°C.

#### MOVIMIENTO DE CARGAS PELIGROSAS

El polipasto no está recomendado para elevar materiales que puedan causar daños graves en caso de soltarse. El levantamiento o movimiento de materiales que puedan explotar o causar contaminación radioactiva o química requieren elementos de seguridad adicionales que no están incorporados en éstos polipastos.

# ESPECIFICACIONES

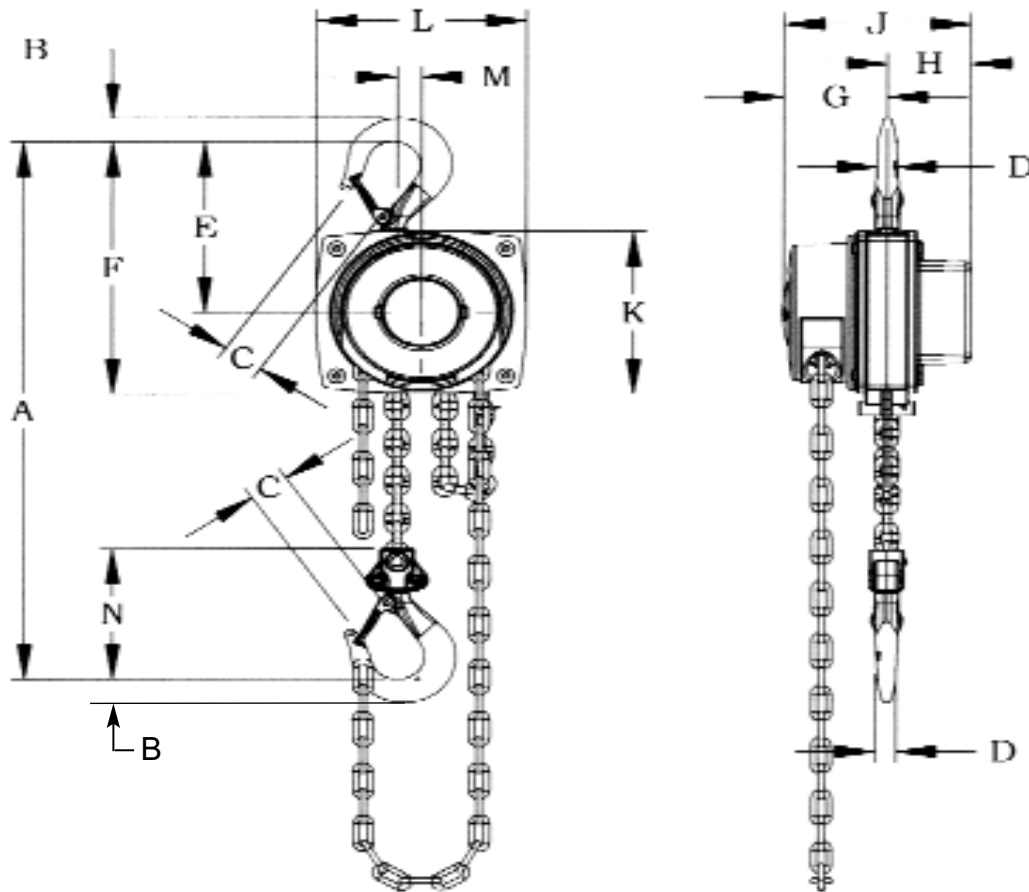


Figura 1 - Especificaciones

Código Prod.	Carga Nominal (Tm.)	Atura (m)	Peso neto (Kg.)	Tiro cadena manual para elevar carga nominal (Kg)	Cadena manual reacondicionado para levantar la carga un metro (m)	Dimensiones (mm.)												
						A	B	C	D	E	F	G	H	J	K	L	M	N
5623		2.4	9															
5624	1/2	3.7	10	20	30	300.0	17.0	24.0	11.0	139.0	205.5	98.8	60.5	159.3	133.0	148.0	24.2	110.0
5625		6.1	11															
5626		2.4	13															
5627	1	3.7	14	24	49	355.0	22.0	29.0	15.0	164.0	242.0	106.3	70.0	176.3	156.0	175.0	23.6	125.0
5628		6.1	16															
5629		2.4	20															
5630	2	3.7	22	34	71	395.0	30.0	35.0	21.0	192.0	283.0	120.0	82.5	202.5	182.0	203.0	31.4	156.0
5631		6.1	25															
5635		2.4	28															
5636	3	3.7	31	42	87	520.0	38.0	40.0	26.0	225.0	335.0	128.2	95.0	223.2	220.0	250.0	33.5	178.0
5637		6.1	36															
5639		2.4	38															
5640	5	3.7	43	34	174	640.0	45.0	47.0	30.0	241.5	351.5	128.2	95.0	223.2	220.0	250.0	20.5	284.5
5641		6.1	54															
5643		2.4	71															
5644	10	3.7	79	46	261	825.0	67.5	68.0	40.0	325.5	435.5	128.2	95.0	223.22	220.0	250.0	136.0	401.0
5654		6.1	95															

## INFORMACIÓN GENERAL

El polipasto de cadena Hurricane de CM® es una herramienta altamente versátil que puede ser usada en cualquier posición para tirar, elevar, arrastrar o estirar eficientemente. El armazón, tapas y palanca están hechos de acero estampado. Los engranajes son de acero tratado térmicamente. Los cojinetes de bola o bujes soportan la polea de elevación de acero tratado térmicamente. Los ganchos superior e inferior son de acero forjado estándar. Posee un freno de fricción seca sin trinquete ni palanca único que no posee otros polipastos similares que proporciona un control positivo de la carga y que sujetará la carga en cualquier punto.

Es posible suministrar polipastos de cargas nominales de 1/2, 1, 2, 3, 5 y 10 Tm. para los que servirá este manual. Es posible suministrar cadenas de elevación estándar de 2,4, 3,7, y 6,1m aunque también es posible suministrar cadenas más largas si se solicita. La cadena de acero chapado se suministra con una caída inferior a 0,6m de la altura de elevación del polipasto.

El polipasto Hurricane de CM® accionado manualmente se ha construido de acuerdo a las especificaciones que se detallan en este manual y en el momento de su fabricación cumple con el estándar B30.16, "Overhead Hoists" ("Polipastos suspendidos") de la American Society of Mechanical Engineers (ASME, Sociedad americana de Ingenieros mecánicos). Si desea obtener una copia de este estándar, puede solicitarlo en: ASME Order Department, 22 Law Drive, Box 2300, Fairfield, NJ 07007-2300, Estados Unidos.

En este manual se proporciona la información necesaria para la instalación, funcionamiento y mantenimiento del polipasto Hurricane de CM® y le ayudará a obtener el máximo rendimiento de forma económica y segura del mismo.

Antes de poner en funcionamiento el polipasto, estudie en profundidad el contenido de este manual. Si sigue los procedimientos recomendados de funcionamiento y mantenimiento el polipasto funcionará de forma segura y fiable durante mucho. Después de haber estudiado este manual, guárdelo para futuras referencias.

## POLÍTICA DE CAMBIO/REPARACIONES DE CM®

Todos los polipastos Hurricane de Columbus McKinnon (CM®) se han comprobado y sometido a pruebas de rendimiento antes de su envío. Si un polipasto que haya sido mantenido de la forma adecuada presentara problemas en su funcionamiento en un plazo inferior a un año contado a partir de la fecha de envío, debido a materiales o mano de obra defectuosos y haya sido constatado por CM®, se sustituirá o reemplazará la unidad sin ningún cargo. Esta política de reparación/cambio sólo será aplicable a los polipastos Hurricane de CM® que hayan sido instalados, mantenidos y hayan funcionado del modo que se describe en este manual y se excluyen los polipastos que presenten un desgaste normal o aquellos que no se hayan instalado, funcionado o mantenido de forma incorrecta o por efecto de entornos de funcionamiento hostiles o que hayan sido reparados o modificados sin permiso.

Nos reservamos el derecho de cambiar el diseño o los materiales de construcción si consideramos que con ello se mejora el producto. La reparación o abuso de personas no autorizadas o el uso de piezas de repuesto que no sean originales de CM® anulará la garantía y podría desembocar en un funcionamiento peligroso de la unidad. Si desea obtener más información acerca de los Términos de venta, consulte Reconocimiento de compra que se encuentra en la parte posterior de este manual. Así mismo, podrá encontrar en la parte posterior de este manual las Limitación de garantía, vías y daños y Funcionamiento seguro e indemnización.

## DESEMBALADO

Después de abrir la caja, inspeccione cuidadosamente que no exista ningún daño que pueda haber ocurrido durante el transporte. Compruebe que la carcasa no esté abollada ni rajado y que la cadena esté en perfecto estado. Los daños producidos durante el transporte deben ser reclamados al transportista.

### ADVERTENCIA

Si se pone en funcionamiento un polipasto con daños externos visibles puede causar la caída de la carga y podrían producirse daños personales y/o a la propiedad graves.

#### PARA EVITARLO:

Compruebe si la unidad presenta daños externos evidentes antes de instalarla.

## INSTALACIÓN

Antes de instalar el polipasto:

1. Calcule el peso de la carga que será elevada o movida y asegúrese de que no excede el límite de carga del polipasto.
2. Asegúrese que el soporte o eslinga al cual está sujeto el gancho superior es lo suficientemente resistente como para sostener varias veces el peso de la carga a ser elevada o movida. Asegúrese de que el polipasto está sólidamente suspendido por la parte más elevada del gancho superior y el cerrojo de seguridad está cerrado y no está en contacto con el soporte o eslinga

### ADVERTENCIA

Enganchar el polipasto en un soporte inadecuado puede ocasionar que el polipasto y la carga que soporta caigan y causen daños personales y/o materiales.

#### PARA EVITARLO:

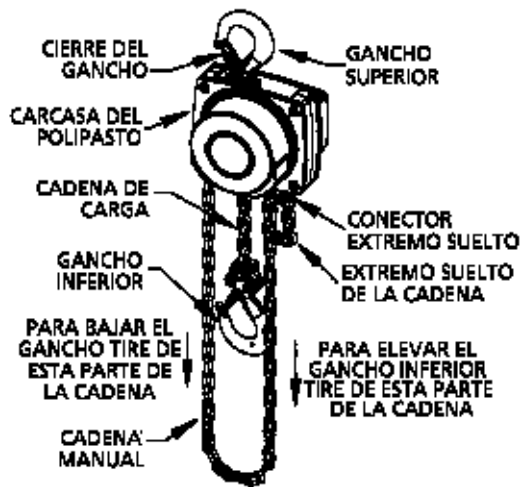
Asegúrese de que la estructura tiene la suficiente resistencia para soportar varias veces el polipasto y su capacidad de carga.

3. La superficie en la cual se ha instalado el polipasto debe ser lo suficientemente amplia para que:
  - El operario pueda manejar la palanca.
  - El operario y cualquier otro personal permanezcan lejos de la carga todo el tiempo.
  - El operario pueda asentar perfectamente los pies.
  - Exista el suficiente espacio entre el cuerpo del polipasto y cualquier objeto. El cuerpo debe poder girar libremente sobre el gancho superior.

## INSTRUCCIONES DE FUNCIONAMIENTO

Después de montarlo y antes de ponerlo en servicio compruebe que el polipasto funciona de adecuadamente. Para comprobarlo, tire de la cadena de mano como se indica.

 <b>ADVERTENCIA</b>
Si no se utiliza adecuadamente, el polipasto puede causar daños
<b>PARA EVITARLO:</b>
Use sólo del modo que se indica. Lea todas las instrucciones antes de poner en servicio el polipasto Hurricane de CM®.



**Figura 2 - Piezas principales del polipasto Hurricane**

Ponga en funcionamiento el polipasto sin carga y, a continuación con una carga ligera de unos 23 Kgs para asegurarse de que funciona correctamente y de que el freno sujeta la carga al soltar la cadena manual. Para terminar, compruebe su funcionamiento con la carga nominal que se especifica en la placa de datos técnicos.

### ASPECTOS GENERALES

1. El polipasto siempre debe colocarse para que eleve la carga en línea recta de gancho a gancho. El bastidor del polipasto nunca debe apoyarse en ningún tipo de objeto ya que puede doblarse el gancho o el bastidor y dañarse la unidad.
2. Cuando se prepare para elevar o mover una carga asegúrese de que los accesorios de ambos ganchos están firmemente aseguradas en los asientos de los mismos. Evite la colocación de cargas descentradas de cualquier tipo y especialmente evite colocar la carga en el extremo del gancho. Así mismo, asegúrese de que la cadena cuelga recta (sin torcerse) desde el polipasto hasta el gancho inferior.
3. Cuando eleve la carga, hágalo sólo unos centímetros hasta que se desprege del suelo o soporte y compruebe que el freno sujeta la carga con firmeza y que los accesorios de sujeción de la carga están firmemente asegurados en los asientos de los ganchos. Siga elevando la carga sólo después de haberse asegurado de que no hay obstrucciones en la trayectoria de elevación de la carga.

4. No cargue más de la carga nominal especificada para el polipasto. La capacidad nominal se alcanza con el siguiente tiro de cadena manual-


Carga nominal del polipasto (Tm.)	Tiro cadena manual para elevar c.nominal (Kg.)
1/2	29
1	35
2	38
3	42
5	36
10	46

Ya que el tiro de cadena manual puede aplicarlo una sola persona, el polipasto nunca debe accionarlo más de una persona al mismo tiempo. Este polipasto se equipa de una carga que limita el dispositivo. La presencia de este dispositivo no autoriza el uso de sobrecargas. Seleccione siempre un polipasto con una carga nominal en exceso de la carga que será movida. Si la rueda manual se desliza mientras que funciona, reduzca la carga o utilice una unidad de la capacidad de carga correcta.

Nota:

El limitador de sobrecarga incorporado en este polipasto es eficaz solamente cuando la sobrecarga se está levantando o se está moviendo con la operación del rueda manual. No protegerá contra las sobrecargas aplicado de otra manera.


5. No enrolle la cadena de carga alrededor de la misma o permita que entre en contacto con el polipasto. Si lo hace se perderá el efecto de balanceo del gancho que podría provocar un enredo de la cadena y un atasco de la polea de elevación. La cadena puede dañarse en el gancho.
6. Manténganse alejado de la carga y evite mover la carga por encima de personas. Advierta al personal de que se dispone a mover una carga en dicha zona.
7. No deje una carga suspendida sin control.
8. No haga descender el gancho hasta tal punto que la cadena se tense en exceso entre la polea de elevación y el conector del extremo suelto.
9. No accione el bloque del gancho inferior en el bastidor del polipasto. Es posible que se dañe el bastidor y/o guía de la cadena.
10. El polipasto se ha diseñado para funcionar sólo en modo manual.

 <b>ADVERTENCIA</b>
Si no se acciona manualmente pueden producirse daños estructurales o desgaste prematuro que haga que se rompan piezas y se caiga la carga.
<b>PARA EVITARLO:</b>
Accione el polipasto Hurricane de CM® manualmente.

11. No lo utilice para elevar o trasladar a personas.
12. No deje que la carga se apoye contra el cierre del gancho. El cierre sirve para ayudar al gancho a mantenerse en su posición cuando la cadena se balancea al elevar la carga.

13. Nunca ponga en funcionamiento el polipasto cuando existan gases o vapores inflamables. El roce entre elementos metálicos puede producir chispas que los inflamen y causar un fuego o una explosión.

14. ¡PERMANEZCA ALERTA! Mire lo que está haciendo y use el sentido común. No utilice el polipasto cuando esté cansado, distraído o bajo los efectos de drogas, alcohol o medicamentos que le ocasionen una disminución de sus capacidades.

 <b>ADVERTENCIA</b>
Si deja que la carga descansa contra el cierre del gancho y/o en la punta, la carga puede caerse.
<b>PARA EVITARLO:</b>
No deje que la carga descansa contra el cierre del gancho y/o en la punta. La carga debe descansar en el asiento del gancho.

## MANTENIMIENTO

### INSPECCIÓN

Para mantener un funcionamiento continuo y satisfactorio, el procedimiento de inspección debe iniciarse para que las piezas desgastadas o dañadas puedan ser reemplazadas antes de que sean inseguras. Los intervalos de inspección deben determinarse según el uso individual y se basan en el tipo de servicio al cual el polipasto está sujeto. La inspección de los polipastos se divide en dos: "frecuente" y "periódica".

#### Inspecciones frecuentes:

Estas inspecciones consisten normalmente en un examen visual realizado por el operario. Las revisiones frecuentes deben realizarse diariamente o antes de cada uso, y consisten en:

- Diariamente indicios de deslizamiento en el sistema de frenado.
- Revisión de la cadena de carga, engrase, desgaste, eslabones dañados o elementos extraños (consulte CADENA DE CARGA, en la página 6).

Cualquier deficiencia que se encuentre deberá corregirse antes de enviar el polipasto a un centro de servicio para su reparación.

#### Inspecciones periódicas:

Son inspecciones visuales externas realizadas por una persona designada que llevará un registro básico para una continua evaluación del estado del polipasto. La inspección periódica se realizará anualmente y, en casos de funcionamiento muy duro y continuado, se realizarán semestralmente.

Debido a la estructura del polipasto, será necesario desmontarlo parcialmente para realizar esta inspección. Las inspecciones periódicas incluirán los puntos descritos en Inspecciones frecuentes y además se deberá controlar:

- Excesivo desgaste o alargamiento de la cadena (vea la página 5).
- Desgaste, rotura o deformaciones de piezas tales como las cabezas de los ganchos superior e inferior, pasador del gancho superior, guía de la cadena, polea, casquillos y cojinetes.

- Inspeccionar el desgaste en la punta de los trinquetes, cabezas de la rueda dentada y bolsillos de la rueda de elevación y la rueda manual.
- Tornillos, tuercas, pasadores o remaches perdidos o flojos.
- Inspección del desgaste de los componentes del freno, discos vidriados o contaminados y rayado del buje de fricción y el plato soporte. Si el grueso de la arandela de la fricción es inferior a 0,8mm debe ser substituido.
- Cambie la etiquetas de advertencia dañadas o deterioradas.
- Corrosión, alargamiento o rotura de muelles del freno.
- Los ganchos se deberían llevar a cabo al menos una vez al año pruebas con líquidos penetrantes, partículas magnéticas u otros métodos de detección de roturas si las condiciones externas indican que han tenido un uso anormal

Cualquier deficiencia que se encuentre deberá corregirse antes de enviar el polipasto a un centro de servicio para su reparación. Así mismo, es posible que las condiciones externas muestren la necesidad de realizar una inspección más profunda que requiera el uso de una comprobación de tipo no-destructiva.

Cualquier pieza que no sea reparable, deberá cambiarse por piezas nuevas de CM® antes de enviar all unidad a un centro de reparación para su servicio. Es muy importante destruir las piezas no reparables de la forma adecuada para evitar un uso futuro de las mismas.

### Inspección del gancho

Los ganchos dañados por elementos químicos, deformaciones o roturas o que estén retorcidos más de 10° en el plano recto del gancho, con apertura excesiva, asiento desgastado deben ser reemplazados. También deben ser reemplazados los ganchos que se han abierto hasta el extremo de que el cerrojo de seguridad no cierra en la punta del mismo. Cualquier gancho que esté retorcido o tenga una apertura excesiva indica que se ha sobrecargado el polipasto. Otras partes importantes que sustenten la carga deben ser revisados por si tienen daños

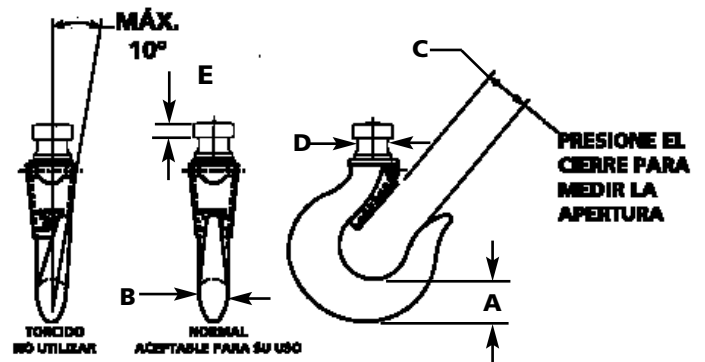


Figura 3 - Inspección del gancho

Capacidad polipasto (Tm.)	Dimensiones críticas del gancho (mm)				
	A	B	C	D	E
1/2	17,0	11,0	24,0	11,0	5,5
1	22,0	15,0	29,0	15,0	6,0
2	30,0	21,0	35,0	19,0	9,0
3	38,0	26,0	40,0	22,0	11,0
5	45,0	30,0	47,0	28,0	12,0
10	67,5	40,0	68,0	35,0	17,0

Comprueba que el cerrojo de seguridad no está dañado o doblado y que funciona correctamente. El muelle debería tener la suficiente tensión para mantenerse fuertemente contra la punta del gancho y permitir que el muelle regrese a la punta cuando se suelte. Si el cierre de seguridad no funciona correctamente, reemplácelo.

Cambie el gancho si la apertura es superior a "C", o si el grosor en "A", "B", "D" o "E" es inferior a las dimensiones que se muestran en la lista del cuadro (vea la figura 3, página 4)

## CADENA DE CARGA

La cadena debe deslizarse suavemente dentro y fuera del polipasto. Si la cadena se atasca, salta o hace mucho ruido engrase y lubríquela (vea más abajo). Si el problema continúa inspeccione la cadena y sus uniones para detectar desgastes, deformaciones u otros daños.

### Inspección de la cadena

Primero limpie la cadena con un disolvente no cáustico ni ácido y revise eslabón a eslabón para detectar melladuras, acanaladuras, eslabones retorcidos, salpicaduras de soldadura, agujeros de corrosión, estrías (diminutas líneas paralelas), roturas en la soldadura, desgastes y alargamientos. Cualquier cadena con alguno de esos defectos debe ser reemplazada.

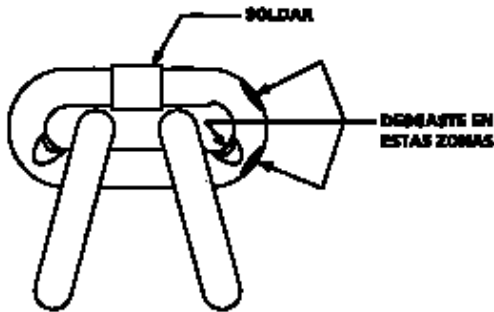
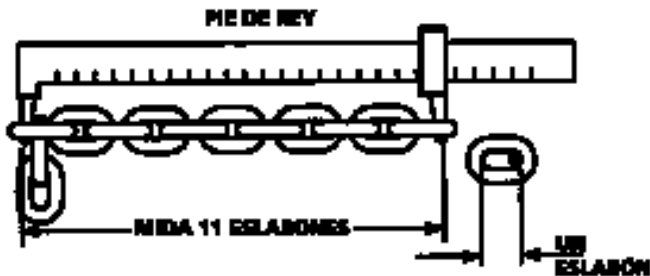


Figura 4 - Inspección de la cadena

Afloje la porción de cadena que pasa normalmente por encima de la rueda de elevación. Examine la zona entre eslabones en el punto en el que se produzca más desgaste (pulido). Mida y registre el diámetro de material en este punto del eslabón y, a continuación, mida el diámetro de material en la misma zona que no pase sobre la rueda de elevación (use el eslabón adyacente al conector del extremo suelto). Compare estas dos medidas. Si el diámetro del material del eslabón desgastado es de 0,254 mm, o superior, al diámetro de material del eslabón desgastado, deberá cambiar la cadena.



También revise si la cadena ha estirado utilizando un pie de rey calibrado como se muestra en la figura 5. Elija una porción de la cadena no utilizada o alargada (habitualmente la punta suelta) y mida y registre la longitud de aproximadamente 11 eslabones. Mida y registre la misma longitud de cadena en la zona desgastada de la misma. Si el resultado (la cantidad de estiramiento y desgaste) es superior a 3,683 mm deberá cambiarse la cadena.

Utilice únicamente un calibre de "filo de cuchillo" para eliminar la posibilidad de una falsa lectura por no medir la longitud correcta del eslabón.



## ADVERTENCIA

Si se utiliza una cadena de carga distinta de la de CM® es posible que se atasque en el polipasto y/o se parta y caiga la carga.

### PARA EVITARLO:

Debido a las propiedades físicas y requisitos de tamaño, use sólo la cadena de carga suministrada por CM® en el polipasto Hurricane de CM®.

Note que una cadena desgastada puede indicar un desgaste en los componentes del polipasto. Por ésta razón, el cuerpo del polipasto, separador y rueda de elevación deben ser examinados para detectar desgastes y reemplazarse si es necesario cuando se reemplaza la cadena (Vea DESMONTAJE Y MONTAJE más adelante).

La cadena de carga está especialmente tratada térmicamente y endurecida y nunca debe ser reparada.

**IMPORTANTE:** No utilice una cadena reemplazada para elevar o tirar de cargas. La cadena puede romperse repentinamente sin deformación visual aparente. Por ésta razón, corte una cadena reemplazada en trozos pequeños para evitar su posterior uso.

**NOTA:** El método descrito anteriormente para la inspección de la cadena de carga, deberá utilizarse para inspeccionar el estiramiento y desgaste de la cadena de tiro.

### Lubricación de la cadena

Una pequeña cantidad de lubricante aumentará en gran medida la vida de la misma. No permita que la cadena funcione seca. Limpie y engrásela a intervalos regulares con Lubriplate® Bar and Chain Oil 10-R (Fiske Bros. Refining Co.) o un lubricante similar. Habitualmente, una limpieza y engrase semanal es suficiente, pero en condiciones de alto calor y suciedad puede ser necesario limpiar la cadena al menos una vez al día y engrasarla varias veces entre cada limpieza

Cuando engrase la cadena, aplique suficiente lubricante para obtener un movimiento natural y una total cobertura, especialmente en la zona entre eslabones.



## ADVERTENCIA

Los aceites de motor utilizados contienen componentes cancerígenos.

### PARA EVITARLO:

Nunca use aceites de motor como lubricante para la cadena. Utilice únicamente Lubriplate® Bar and Chain Oil 10-R para engrasar la cadena.

## LUBRICACIÓN

Los polipastos no requieren una lubricación adicional excepto cuando han sido desmontados para su limpieza o reparación.

**IMPORTANTE:** El freno está diseñado para trabajar en seco. No use grasa o aceite en las superficies del freno. Cuando se engrasan piezas adyacentes al freno no use una cantidad excesiva de lubricante que podría rezumar hasta las superficies del mismo.



## ADVERTENCIA

Utilizar grasa o lubricante en las superficies del freno puede ocasionar deslizamientos del mismo y pérdida del control de la carga que puede resultar en daños propios y/o materiales.

### PARA EVITARLO:

No use ninguna grasa o lubricante en las superficies del freno. El freno está diseñado para trabajar en seco.

En caso de que el polipasto se desarme para servicio, reparaciones o inspección hay que quitar toda la grasa, limpiar completamente y reemplazar con 29,5 ml aproximadamente de grasa Poliplex 2 (Century Lubricants Co.) o lubricante similar a la engranajes, rodillos del cojinete de la rueda de elevación, 2. exterior del eje del piñón, superficies de casquillos del cabezal y superficie de los casquillos de la tapa de engranajes.

**IMPORTANTE:** Para asegurar una larga vida y las máximas prestaciones, asegúrese de engrasar las diferentes partes del polipasto especificadas anteriormente. Si lo desea, puede adquirir dichos lubricantes en CM® (vea la Figura 8, en la página 8).

## CAMBIO DE LA CADENA DE CARGA

Para cambiar la cadena de carga quite el bloque del gancho inferior (656-17) de la cadena. Desconecte la cadena del conector del extremo suelto (656-7) y accione el polipasto en la dirección de descenso para sacar la cadena fuera del polipasto. Meta un trozo de cable flexible por arriba, por encima de la rueda de elevación. Sujete el cable a la nueva cadena de carga para que ésta se introduzca por el centro del bastidor del polipasto. Coloque la cadena para que el primer eslabón que enganche la rueda de elevación sea un eslabón en vertical y de este modo todos los cordones de soldadura de los eslabones no rocen la rueda de elevación. Tire del cable hasta que la cadena enganche la rueda de elevación. Gire la rueda hasta que la cadena salga por fuera del polipasto, por el lado del extremo suelto. Sujete la cadena al conector del extremo suelto y sujete el bloque del gancho inferior para que el gancho inferior quede directamente debajo del gancho superior.

## MONTAJE Y DESMONTAJE

La lista de piezas y la vista despiezada de las páginas 11 y 12 muestran la disposición general y el nombre de las piezas del polipasto manual Hurricane de CM® Hurricane. Estos dibujos deben utilizarse como guía para el montaje y desmontaje de los polipastos.

1. Para inspeccionar o cambiar el freno de disco, será necesario desmontar parcialmente el polipasto. Quite la tapa de la rueda manual (656-36) y el soporte de la cubierta de la rueda de elevación (656-35). Eleve y quite la cubierta de la rueda de elevación (656-34) y deslice hacia abajo la cadena manual (656-31). Eleve la cadena manual hasta sacarla de los bolsillos de la rueda de elevación (656-27).

Quite la tuerca de la rueda de elevación (656-30) y la rueda de transmisión (656-29) del eje de dirección (656-10). Quite la rueda manual (656-27), el casquillo de la rueda manual (656-26) y el muelle del freno (656-25).

Quite el cubo del freno (656-24) y cámbielo si la superficie de fricción está excesivamente desgastada. Compruebe la superficie de fricción de la placa del freno (656-22A) y cámbiela si está desgastada en exceso. Examine el freno de disco (656-23) y compruebe su desgaste, si está rayado, demasiado pulido o sucio. Si el arandela de la fricción está desgastado en exceso y su grosor es inferior a 0,8mm o está rayado o brilla demasiado o está sucio, cámbielo por un disco nuevo.

Después de haber cambiado o inspeccionado el disco del freno, vuelva a montar el polipasto realizando los mismos pasos descritos anteriormente en orden inverso y ajuste el freno (vea INSTALACIÓN DEL MUELLA DEL FRENO y AJUSTE DEL FRENO, en la página 7).

Para inspeccionar o cambiar la rueda de elevación, la guía de la cadena o el separador será necesario desmontar el polipasto. Quite la cadena de carga (vea CAMBIO DE LA CADENA DE CARGA, que se acaba de explicar) y, a continuación, quite la tapa de la rueda de elevación (656-36) y el soporte de la cubierta de la rueda de elevación (656-35). Eleve y quite la cubierta de la rueda de elevación (656-34A) y deslice hacia abajo la cadena manual (656-31). Eleve la cadena manual hasta sacarla de los bolsillos de la rueda de elevación (656-27). Quite la tuerca de la rueda de elevación (656-30A) y la rueda de transmisión (656-29A) del eje de dirección (656-10). Quite la rueda manual (656-27), el casquillo de la rueda manual (656-26) y el muelle del freno (656-25). Quite el cubo del freno (656-24) y el disco del freno (656-23). Quite el anillo de retención y la placa del freno (656-22A) y la placa lateral de la rueda de elevación (656-9) para deslizar el eje de dirección hacia fuera (656-10). Quite el espaciador (656-6) y la guía de la cadena (656-5). Compruebe el estado y desgaste del espaciador, la guía de la cadena, la rueda de elevación (656-8) y suelte el conector del extremo suelto (656-7).

Si el separador, guía de la cadena y/o conector del extremo suelto estuvieran dañados o desgastados, deberá cambiarlos. Si la rueda de elevación está en buen estado, vuelva a montar el polipasto realizando los mismos pasos descritos anteriormente en orden inverso. Si, por el contrario fuera necesario cambiarla, siga desmontando el polipasto.

**NOTA:** Dos puntos de la precaución que se observará en desmontaje y el montaje de los engranajes:

- a) Los rodillos flojos se utilizan en varias localizaciones en algunas unidades. El cuidado se debe tomar para no perder o no colocar mal éstos.
- b) Para la operación apropiada, el número correcto de rodillos se debe instalar en los puntos que rotan. La aplicación de la grasa a los rodillos ayudará a mantenerlos la posición durante la asamblea.

Quite la cubierta de las ruedas dentadas (656-1), las cubiertas de los extremos (656-4A) y los engranajes (656-12). Quite el anillo de retención del engranaje de la rueda de elevación (656-11) y sáquelo. Quite la rueda de elevación y cámbiela por una nueva. Compruebe el estado y desgaste de los engranajes y cámbielos si es necesario y, a continuación, vuelva a montar el polipasto realizando los mismos pasos descritos anteriormente en orden inverso.

Ajuste el freno (vea AJUSTE DEL FRENO en la página 7) e



## ADVERTENCIA

si el freno no se ajusta adecuadamente la carga puede deslizarse y causar daños a personas o equipos.

### PARA EVITARLO:

- AJUSTAR EL FRENO COMO SE INDICA.

instale la cadena de carga (vea CAMBIO DE LA CADENA DE CARGA, que se ha explicado anteriormente). Cuando el polipasto vuelva a estar completamente montado, deberá comprobarlo y asegurarse de que funciona correctamente (vea COMPROBACIÓN en la página 8).

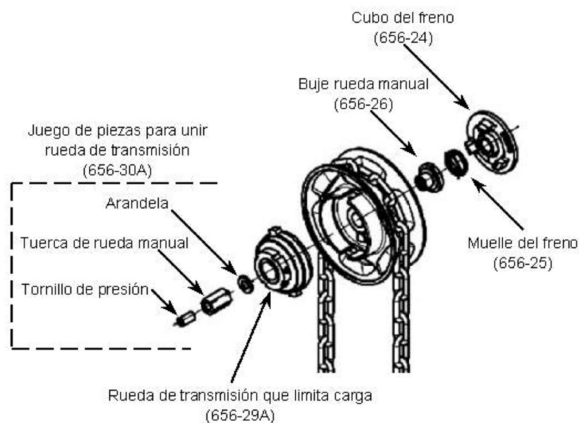
3. Para cambiar el cierre del gancho, quite el remache y sáquelo. Quite y tire el cierre y el muelle. Coloque un nuevo cierre y un nuevo muelle con el pasador de rodillo que se suministra con el juego del cierre.

## INSTALACIÓN DEL MUELLA DEL FRENO

**NOTA:** Para la operación apropiada del freno el muella del freno se debe cargar según lo descrito abajo.

1. Sitúe el brazo C-formado en el muella del freno (656-25) en la ranura en el exterior del buje de rueda manual (656-26).
2. Resbale el buje de rueda manual sobre el eje de dirección (656-10) con el brazo más bajo en el muella del freno (656-25) localizó 90 grados (1/4 vuelta) a la derecha de la ranura en el cubo del freno (656-24).
3. Resbale el buje de rueda manual (656-26) toda la manera sobre el eje de dirección (656-10) que usa un destornillador pequeño para mover el brazo en el muella del freno (656-25) a la izquierda y en la ranura en el cubo del freno (656-24).
4. El muella ahora se carga correctamente.

**NOTA:** El buje de rueda manual debe permanecer en lugar durante el resto del montaje de freno y del proceso de ajuste para asegurar el brazo en la ranura en la cubo en la disco contratadas estancias. Repete el procedimiento si este brazo se convierte en desunida.



## AJUSTE DEL FRENO

Para ajustar el freno:

1. Quite el polipasto de la estructura de soporte y póngalo en una superficie de funcionamiento plana con los revestimientos del rueda manual para arriba.
2. Quite los tres tornillos que aseguran el casquillo de centro plástico y quite el casquillo de la cubierta del rueda manual.

3. Bloquee la cadena de la carga insertando un destornillador o un perno a través de la cadena de la carga apenas debajo del marco del polipasto. Funcione del rueda manual en la dirección ascendente para quitar la holgura de cerrar de cadena de la carga y de trabar el freno.

**NOTA:** Este freno debe seguir siendo cerrado a través del resto de este ajuste.

4. Rote el rueda manual lentamente a la izquierda hasta que entra en contacto con una parada. Tome el cuidado para no forzar el rueda manual contra la parada, abriendo el freno.
- NOTA:** Este rueda manual debe permanecer en esta posición a través del resto de este ajuste.
5. Quite el tornillo de presión del centro del eje de dirección.
6. Quite la tuerca y la arandela de retención del rueda manual.
7. Quite el rueda de transmisión que limita de carga.
8. Moviendo la placa la la rueda del transmisión que limita de carga hacia adelante y hacia atrás, localice el centro del recorrido. Coloque la placa la rueda en esta posición.
9. Tomando cuidado para mantener la placa la rueda la posición central, ponga el rueda de transmisión que limita de carga en el eje de dirección ranurado así que las extremidades de la placa del conductor contratan las ranuras al rueda manual.

**NOTA:** Puede ser necesario rotar el rueda de transmisión que limita de carga 180 grados (vuelta del 1/2) para localizar una localización de la tira de modo que las extremidades de la placa la rueda contratan las ranuras al rueda manual mientras que mantengan la placa la rueda en el centro aproximado de su recorrido.

10. Sostenga la rueda en esta posición e instale la arandela y la tuerca. Apriete la tuerca a 20 Nm (180 pulg. las libras.) e instale y apriete el tornillo de presión para trabar esta tuerca en lugar.
11. Compruebe la operación del polipasto levantando y bajando una carga de 50 libras (23 kilogramos) cerca de 6 pulgadas (150 milímetros). El polipasto debe funcionar suavemente al levantar y bajando y celebra la carga cuando se lanza la cadena manual. Repita esta prueba con una carga clasificada de la capacidad. Si el polipasto es duro de funcionar en o la dirección o si el polipasto no celebra la repetición suspendida de la carga este procedimiento de ajuste.
12. Substituya el tapa rueda manual en la cubierta rueda manual

## AJUSTE DEL RUEDA QUE LIMITA CARGA

Para ajustar de la rueda que limita carga:

1. Quite el polipasto de la estructura de soporte y póngalo en una superficie de funcionamiento plana con los revestimientos del rueda manual para arriba.
2. Quite los tres tornillos que aseguran el casquillo de centro plástico y quite el casquillo de la cubierta del rueda manual.
3. Bloquee la cadena de la carga insertando un destornillador o un perno a través de la cadena de la carga apenas debajo del marco del polipasto. Funcione del rueda manual en la dirección ascendente para quitar la holgura de cerrar de cadena de la carga y de trabar el freno.
4. Afloje ambos tornillos de presión radiales en el lado del tuerca ranurada redonda.
5. Para cambiar el ajuste del limitador de carga, usted aprieta la tuerca ranurada redonda para aumentar el ajuste o usted afloja la tuerca ranurada redonda para disminuir el ajuste.
6. Realice las pruebas requeridas después del ajuste. (Consulte COMPROBACIÓN, página 8). Revise el ajuste en caso de necesidad.

**NOTA:** El polipasto no debe poder levantar 150% de la carga

### Mantenimiento (continuación)

clasificada si el limitador de carga se ha ajustado correctamente.

- Apriete ambos tornillos de presión radiales en la tuerca ranurada redonda.
- Substituya el tapa rueda manual en la cubierta rueda manual .

### LUBRICACIÓN

En caso de que el polipasto se desarme para servicio, reparaciones o inspección hay que quitar toda la grasa, limpiar completamente y reemplazar con 29,5 ml aproximadamente de grasa Poliplex 2 (Century Lubricants Co.) o lubricante similar a la engranajes, rodillos del cojinete de la rueda de elevación, exterior del eje del piñón, superficies de casquillos del cabezal y superficie de los casquillos de la tapa de engranajes.

### ENGRANAJES

Los engranajes (656-12) no deben regularse por lo que no deberán colocarse en ninguna posición concreta durante el

montaje. Sin embargo, para que la unidades de 1, 3, 5 y 10 Tm. funcionen correctamente, deberá utilizarse una rueda marcada con la "A" y otra con la "B".

### MANTENIMIENTO PREVENTIVO

Adicionalmente a los procedimientos de inspección, se debería establecer un programa de mantenimiento para alargar la vida útil del polipasto y mantener permanentemente su fiabilidad y funcionamiento seguro. El programa debería incluir las inspecciones periódicas con una especial atención a la lubricación de los diversos componentes utilizando los lubricantes adecuados (Vea la Figura 8).

### COMPROBACIÓN

Antes de usar por primera vez el polipasto, ya sea nuevo o uno reparado o tras largos periodos de inactividad, será necesario probarlos antes de ponerlos en servicio.

Compruebe la unidad, en primer lugar, sin carga y a continuación con una carga ligera (46 Kg.) para asegu-

rarse de que funciona de la manera correcta y de que el freno sujeta la carga al soltar la cadena manual. A continuación pruebe la unidad a 125% de su capacidad nominal.

Así mismo, en polipastos en los que se hayan cambiado las piezas que sustentan la carga deberán comprobarse también a un 125% de su capacidad nominal bajo la supervisión de una persona designada al efecto que deberá elaborar un informe escrito como registro.

**NOTA:** Porque este polipasto se equipa de una carga que limita el dispositivo que el deslizarse ocasional de la rueda manual puede ocurrir al probar con 125 por ciento de carga nominal.

**NOTA:** Si desea obtener información adicional sobre la Inspección y Comprobación, consulte el estándar B30.16 de la ASME, "Overhead Hoists", que podrá obtener en: ASME Order Department 22 Law Drive, Box 2300 Fairfield, NJ 07007-2300 Estados Unidos.

INFORME DEL INSPECTOR			
ART.	OBSERVACIONES (LISTAR DEFICIENCIAS Y ACCIONES RECOMENDADAS)		
Firma inspector	Feca inspección	Aprobado por	Fecha

Figura 7 - Informe de inspección recomendado

PROGRAMA DE LUBRICACIÓN RECOMENDADO PARA LOS POLIPASTOS HURRICANE DE CM® Y POLIPASTOS MANUALES*				
Nº REF (VEA PÁGS.)	COMPONENTE	TIPO DE LUBRICANTE	** Nº PEDIDO	TIPO DE SERVICIO Y
656-28	Cadena carga	Aceite Lubriplate® Bar and Chain #10-R	28619 (lata 3,8 L)	
656-11 656-12 656-13 656-17	Engranajes y superficies cojinetes de ruedas de ganchos superior e	Poliplex 2	28629 (lata 0,45 Kg)	Al desmontar el polipasto para limpieza o reparaciones

\* Éste programa de lubricación se basa en el funcionamiento de un polipasto en condiciones ambientales normales. Los polipastos que trabajen en atmósferas excesivamente calurosas, corrosivas, abrasivas, etc., deberán ser lubricados más frecuentemente .

\*\* Vea la página 11, INSTRUCCIONES PARA PEDIDOS.

Figura 8 - Programa de lubricación recomendado

## Mantenimiento (continuación)

### LISTA DE COMPROBACIÓN DE MANTENIMIENTO E INSPECCIÓN POLIPASTO MANUAL

Tipo de polipasto \_\_\_\_\_ Fecha de instalación original \_\_\_\_\_  
 Ubicación \_\_\_\_\_ N° de serie del fabricante \_\_\_\_\_  
 Fabricante \_\_\_\_\_  
 Capacidad (Tm.) \_\_\_\_\_

Art.	Frecuencia de inspección		Posibles deficiencias	OK	Acción Requerida
	Frecuente	Periódica			
	Diaria	c/3 meses			
Mecanismo del freno	*	*	Deslizamiento o desplazamiento excesivo. Desgaste, acristalamiento o discos contaminados. Grosor del arandela de la fricción inferior a 0,8mm.		
Rueda manual	*	*	Se atasca y no se mueve libremente.		
Cadena de carga	*	*	Lubricación inadecuada, desgaste o alargamientos, roturas, eslabones torcidos o deter., corroidos o atascados con materiales extraños.		
Ganchos	*	*	Apertura excesiva de la garganta, doblados más de 100, cierre dañado o no operativo, daños químicos. Roturas (use método de líquidos penetrantes, magnéticos u otros métodos de detección adecuados anualmente).		
Bloque del gancho superior e inferior pasador gancho superior, guía de la cadena, casquillos, engranajes, eje de dirección, cubo del freno y placa del freno		*	Corrosión, roturas, desalineación, desgaste excesivo, o acumulación de materiales extraños.		
Punta de la rueda de transmisión topes de rueda manual orejas del cubo del freno		*	Corrosión, desalineación, desgaste excesivo o acumulación de materiales extraños.		
Bolsillos de la rueda de elevación placas laterales y separador		*	Corrosión, desalineación, desgaste excesivo o acumulación de materiales extraños.		
Tuercas, tornillos, pasadores y p. partidos		*	Roturas, doblamientos, sueltos, roscas pasadas.		
Muelle del freno		*	Corrosión, alargamiento o rotura.		
Conector extremo suelto		*	Pérdida, rotura, no asegurado a la cadena, colocado incorrectamente.		
Placa de datos técnicos, etiquetas y tubo de advertencia		*	Perdidos, dañados o ilegibles.		
<b>NOTA:</b> Si desea obtener más información, consulte las secciones Inspección y Mantenimiento de este manual					

#### FRECUENCIA DE INSPECCIÓN

Frecuente - Indica que los elementos requieren una inspección diaria o antes de cada uso. Estas inspecciones deben ser llevadas a cabo por el operario si está designado previamente para ello.

Periódica - Indica que los elementos requieren una inspección cada tres meses. Las inspecciones deben ser llevadas a cabo por o bajo la dirección de una persona designada previamente para ello. El periodo exacto de inspección dependerá de la frecuencia y tipo de uso. La determinación de éste periodo se basará en la experiencia del usuario

Se recomienda que el usuario comience con inspección trimestral y extienda el periodo a semianual o anual basándose en las experiencias trimestrales

**NOTA:** Esta lista de inspección y mantenimiento está de acuerdo con nuestra interpretación de los requerimientos de la "Safety Standard for Overhead Hoists" (Estandar de seguridad para polipastos suspendidos) ASME B30.16. Es, sin embargo, responsabilidad del empresario/usuario interpretar y adherirse a los requerimientos aplicables para éste estándar de seguridad..

**Figura 9 - Lista de comprobación de mantenimiento e inspección recomendada**

## Cuadro para solución de problemas

Síntoma	Causa/s posibles	Acciones correctivas
1. Dureza de funcionamiento del polipasto en cualquier dirección.	A) La cadena de carga está desgastada y se atasca entre el rodillo de la cadena y la rueda de elevación.	A) Compruebe la cadena, (Vea la página 7) y cámbiela si el desgaste es excesivo.
	B) Cadena de carga mohosa, corroida u obstruida con elementos extraños tales como cemento o barro.	B) Limpie la cadena con un pulimento o utilizando un disolvente no cáustico ni ácido. Compruebe que la cadena no tenga eslabones dañados ni doblados. Lubrique con aceite Lubriplate® Bar and Chain Oil 10-R (Fiske Bros. Refining Co.) o un lubricante similar.
	C) Cadena de carga dañada.	C) Busque si hay eslabones torcidos, desgastados o dañados y cámbielos.
	D) Rueda de elevación atascada con elementos extraños que provocan una unión entre la rueda de elevación y la guía de la cadena.	D) Limpie los bolsillos y cámbielos si están desgastados.
	E) Cadena manual desgastada que se atasca entre la rueda manual y la cubierta.	E) Compruebe la cadena (vea la página 5).
	F) Rueda manual atascada o desgastada en exceso que hace que la cadena se atasca entre la cubierta y la rueda manual.	F) Limpie los bolsillos y cámbielos si están desgastados.
	G) Rueda de elevación retorcida o doblada - Dientes de engranajes doblados.	G) Se ha aplicado una sobrecarga. Reemplace las partes dañadas.
2. Dureza de funcionamiento del polipasto hacia abajo.	A) Piezas del freno corroidas u obstrucciones con materiales extraños.	A) Desmonte el freno y límpielo cuidadosamente (con un trapo, no mojándolo con un disolvente). Cambie los discos si están demasiado gomosos, desgastados o rayados. Mantenga los discos y la superficie del freno secas y limpias.
	B) El freno no está correctamente ajustado	B) Ajuste le freno del modo que se indica en la p. 7.
	C) Atasco de cadena	C) Vea Arts. 1A, 1B y 1C.
3. Dureza de funcionamiento del polipasto hacia arriba.	A) Atasco de cadena	A) Vea Arts. 1A, 1B y 1C.
4. El polipasto no funciona en ninguna dirección.	A) Rueda de transmisión o tope en rueda manual rotos	A) Cambie las piezas rotas
	B) Engranajes atascados	B) Compruebe si los dientes están sucios
5. El polipasto no desciende.	A) Freno bloqueado por cuasa de una aplicación brusca de la carga o por haber retirado la carga con otros medios distintos a los de la unidad cuando está en descenso	A) Cuando el polipasto esté cargado mantenga la cadena tensada, tire con cuidado de la cadena manual en la dirección de descenso para desflojar el freno
	B) Atasco de cadena	B) Vea Arts. 1A, 1B y 1C
	C) Gancho inferior abajo del todo. Cadena de carga completamente extendida	C) Cadena tensa entre el conector del extremo suelto y la rueda de elevación. Accine el polipasto sólo hacia arriba.
6. El polipasto no funciona en la dirección de subida.	A) Atasco de cadena	A) Vea Arts. 1A, 1B y 1C.
	B) Sobrecarga	B) Si la rueda manual se desliza mientras que funciona, reduzca la carga o utilice una unidad de la capacidad de carga correcta.
7. El polipasto no mantiene la carga elevada.	A) Gancho inferior o lateral de carga de cadena en el lado equivocado de la rueda de elevación	A) El gancho inferior debe estar en el mismo lado que la rueda de elevación al igual que el gancho superior
	B) Freno ajustado incorrectamente	B) Ajuste el freno del modo que se indica en la página 7
	C) Rueda de transmisión o tope en rueda manual rotos	C) Vea Art. 4A
	D) Piezas del freno rotas	D) Cambie las piezas necesarias del freno
	E) Superficies de fricción del freno corroidas, sucias o con exceso de grasa	E) Vea Art. 2A

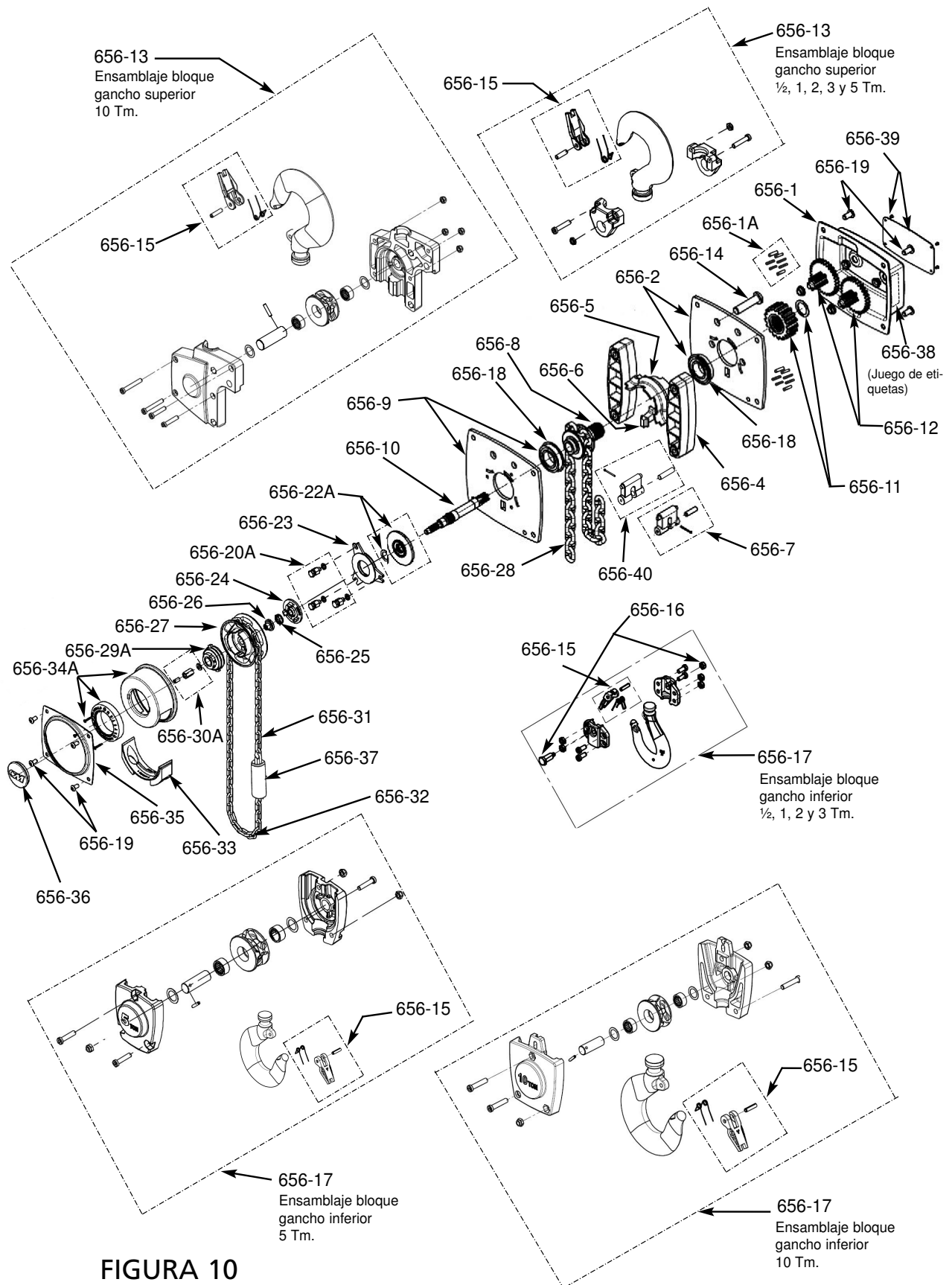
## Liste de pièces de rechange

Clave pieza	Descripción	Número de pieza						Cant.
		1/2 Tm.	1 Tm.	2 Tm.	3 Tm.	5 Tm.	10 Tm.	
656-1	Cubierta engranajes con casquillos	00400416	00400417	00400418	00400641	00400641	00400641	1
656-1A	Juego del rodillo del engranaje	---	---	---	65600001	65600001	65600001	1
656-2	Placa lateral engranajes (incluye casquillos y cojinetes)	00400419	00400420	00400421	00400642	65600002	00400642	1
656-4A	Juego del cubierta extremo	00400355	00400267	00400305	00400472	00400472	00400472	2
656-5	Guía de cadena	00400328	00400240	00400287	00400453	00400453	00400453	1
656-6	Espaciador	00400327	00400229	00400280	00400465	00400465	00400465	1
656-7	Conector extremo suelto (incluye conector, pasador y pasador partido)	00400422	00400423	00400424	00400643	00400643	00400643	1
656-8	Rueda de elevación	00400334	00400236	00400283	00400452	00400452	00400452	1
656-9	Placa lateral rueda manual (incluye cojinete)	00400425	00400426	00400427	00400644	65600003	00400644	1
656-10	Eje de dirección	00400774	00400743	00400751	00400761	00400761	00400761	1
656-11	Engranaje rueda elevación y anillo de retención	00400428	00400429	00400430	00400645	00400645	00400645	1
656-12	Juego de engranajes, 2 engranajes	00400431	00400432	00400433	00400646	00400646	00400646	1
656-13	Ensamblaje bloque gancho superior	00400344	00400272	00400281	00400478	00400512	00400524	1
656-14	Pasador gancho superior	00400354	00400270	00400307	00400482	00400514	00400482	1
656-15	Juego cierre del gancho	00400449	00400450	00400451	00400647	65600004	65600005	2
656-16	Tuerca y pasador de cadena del gancho inferior	00400434	00400435	00400436	00400648	---	---	1
656-17	Ensamblaje bloque gancho inferior	00400342	00400274	00400309	00400480	00400499	00400517	1
656-18	Cojinete rueda elevación	00400329	09151118	09151109	09151121	09151121	09151121	2
656-19	Juego de piezas de cubierta, 8 tornillos	00400437	00400437	00400438	00400649	00400649	00400649	1
656-20A	Juego piezas placa del freno, 3 tornillos de aislamiento y arandelas de cierre	65600006	65600007	65600008	65600009	65600009	65600009	1
656-22A	Placa del freno y anillo de retención	65600010	65600010	65600011	65600012	65600012	65600012	1
656-23	Disco del freno	00400848	00400848	00400849	00400849	00400849	00400849	1
656-24	Cubo del freno	00400742	00400742	00400764	00400764	00400764	00400764	1
656-25	Muelle del freno	00400746	00400746	00400767	00400767	00400767	00400767	1
656-26	Buje rueda manual	00400745	00400745	00400765	00400765	00400765	00400765	1
656-27	Rueda manual	00401060	00400951	00400889	00400880	00400880	00400880	1
656-28	Cadena de carga - Especificar longitud	85834 (5 x 15•T8)	85959 (6 x 18•T8)	635131 (8 x 24•T8)	85960 (10 x 30•T8)	85960 (10 x 30•T8)	85970 (10 x 30•T10)	---
656-29A	Rueda de transmisión que limita carga	00400686	00400686	00400890	00400891	00400891	00400891	1
656-30A	Juego de piezas para unir rueda de transmisión	65600013	65600013	65600014	65600014	65600014	65600014	1
656-31	Cadena manual - Especificar longitud	04307654	04307654	04307654	04307654	04307654	04307654	---
656-32	Eslabón conexión cadena manual	00404733	00404733	00404733	00404733	00404733	00404733	1
656-33	Guía cadena manual	00400346	00400263	00400301	00400468	00400468	00400468	1
656-34A	Ensamblaje cubierta rueda manual	65600015	65600016	65600017	65600018	65600018	65600018	1
656-35	SopORTE cubierta rueda manual	00400349	00400266	00400304	00400470	00400470	00400470	1
656-36	Tapa rueda manual	00400415	00400415	00400415	00400415	00400415	00400415	1
656-37	Tubo de advertencia	22296	22296	22296	22296	22296	22296	1
656-38	Juego de etiquetas de advertencia, 3 etiquetas	56814	56815	56816	56825	56825	56825	1
656-39	Juego de placa de datos técnicos, placa de datos técnicos y cuatro tornillos	00400439	00400440	00400444	65600019	65600020	65600021	1
656-40	Conector de cadena de carga (incluye conector, pasador y pasador partido)	---	---	---	---	65600022	---	1

### INSTRUCCIONES PARA PEDIDOS

**En todas sus comunicaciones o pedidos de piezas de repuesto, proporcione la siguiente información:**

1. Carga nominal del polipasto que aparece en la placa de datos técnicos.
2. N° de serie del polipasto que aparece en la placa de datos técnicos.
3. Longitud de elevación.
4. Clave de la pieza que aparece en la lista de piezas.
5. Número de piezas que desea.
6. Nombre de la pieza que aparece en la lista de piezas.
7. Número de la pieza que aparece en la lista de piezas.



**FIGURA 10**  
**VISTA DESPIEZADA DEL POLIPASTO**  
**MANUAL HURRICANE DE CM®**

# La securite d'operation du palan depend de vous...

**AVERTISSEMENT** -NE SOULEVEZ PAS DE CHARGE EXCÉDANT LA CAPACITÉ NOMINALE.  
-N'OPÉREZ QUE DE FAÇON MANUELLE (UN SEUL OPÉRATEUR).

## 1 CHOISISSEZ LE PALAN APPROPRIÉ À L'EMPLOI...

Choisissez un palan ayant une capacité adéquate à l'emploi. Prenez connaissance de la capacité de vos palans et de vos charges et ensuite mariez les.

L'application, le type et les dimensions de la charge, les attaches utilisées et la fréquence d'utilisation doivent également être prises en considération lors de la sélection du palan approprié à l'emploi.

Rappelez vous que le palan fut conçu pour soulager nos efforts et que l'imprudence non seulement met en danger l'opérateur, mais dans plusieurs cas, une précieuse charge.



**AVERTISSEMENT** -N'UTILISEZ PAS UN PALAN ENDOMMAGÉ OU DÉFECTUEUX.  
-N'UTILISEZ PAS LE PALAN SI SA CHAÎNE EST TORDUE OU ENDOMMAGÉE.

## 2 INSPECTEZ

En plus des inspections périodiques régulières, tous les palans devraient visuellement être inspectés avant chaque utilisation.

Portez attention aux signes de mauvaise opération et de légitimité. Les défauts devraient être portés à l'attention des supérieurs.

Assurez vous que les palans défectueux soient marqués et mis hors d'usage jusqu'à ce que les réparations soient effectuées.



N'utilisez un palan défectueux en aucun cas.

Surveillez les matières étrangères, les œillets de chaîne endommagés, déformés et tordus. N'utilisez pas un palan avec des œillets de chaîne entortillés, endommagés ou tordus.

La chaîne de levage doit être adéquatement lubrifiée.

Les crochets qui sont pliés, usés ou dont l'ouverture excède l'ouverture normale ne doivent pas être utilisés. Le palan devrait être mis hors service si le verrou ne s'engage pas dans l'ouverture du crochet.

Soyez à l'affût des dépôts et matières étrangères sur les chaînes qui pourraient être introduites dans le mécanisme du palan.

Vérifiez toute évidence de glissement du frein.



**AVERTISSEMENT** -NE SOULEVEZ PAS DE CHARGE DE FAÇON ANGULAIRE. ASSUREZ VOUS QUE LA CHARGE ET LE PALAN SONT EN LIGNE DROITE.  
-N'UTILISEZ PAS LA CHAÎNE DE LEVAGE COMME ÉLINGUE.

## 3 UTILISEZ LE PALAN CORRECTEMENT

Assurez vous que le palan soit solidement accroché au creux supérieur du crochet de maintien.



Assurez vous que la charge soit en ligne droite avec le palan. Ne soulevez pas de charge de façon angulaire.



Assurez vous que la charge soit fermement accrochée. Ne chargez pas le crochet de côté. Ne chargez pas le verrou. Le verrou ne sert qu'à prévenir la charge de se dégager du crochet lorsque la chaîne est hors tension.



N'utilisez pas si le bâti du palan se bute contre un objet quelconque. Soulevez les charges doucement et non de façon brusque.

**AVERTISSEMENT** -NE SOULEVEZ PAS DE PERSONNES OU DE CHARGES AU DESSUS DE PERSONNES.

## 4 SOYEZ TOUJOURS PRUDENTS

Ne soulevez pas de collègues de travail avec le palan.

Assurez-vous que toute personne est hors d'atteinte de la charge lorsque vous la soulevez.

N'enlevez ou n'obstruez les écriteaux d'avis d'opération.



## 5 ENTRETIEN PAR L'OPÉRATEUR

**NETTOYAGE**  
Les palans doivent être gardés propres et libres de poussière, saleté, humidité etc. qui d'une façon ou d'une autre affecterait l'opération ou la sécurité de l'équipement.

**LUBRIFICATION**  
La chaîne doit être lubrifiée adéquatement.

**APRÈS UNE RÉPARATION**  
Opérez le palan avec précaution avant de le remettre en service régulier.



**TOUTE VIOLATION DES AVERTISSEMENTS INDIQUÉS PEUT CAUSER DE SÉRIEUSES BLESSURES CORPORELLES À L'OPÉRATEUR OU AU PERSONNEL ENVIRONNANT DÙ À UN RELÂCHEMENT DE LA CHARGE OU DE PIÈCES DE PALAN BRISÉES.**

## INFORMATIONS DE SÉCURITÉ GÉNÉRALE

### AVERTISSEMENT

L'opération inadéquate d'un palan peut créer une situation potentiellement dangereuse qui pourrait causer des blessures graves ou la mort si elle n'est pas prévenue. Pour éviter une telle situation dangereuse l'opérateur doit :

1. **NE PAS** utiliser un palan défectueux ou ayant des performances inhabituelles.
2. **NE PAS** faire fonctionner le palan avant que vous n'ayez lu attentivement et compris les instructions de ce manuel.
3. **NE PAS** utiliser un palan qui a été modifié.
4. **NE PAS** lever ou tirer une charge excédant la capacité nominale du palan.
5. **NE PAS** utiliser un palan endommagé ou qui ne fonctionne pas correctement.
6. **NE PAS** utiliser un palan ayant une chaîne emmêlée, déformée, endommagée ou usée.
7. **NE PAS** utiliser le palan pour lever supporter ou transporter des personnes.
8. **NE PAS** lever de charge au dessus de personnes et s'assurez que le personnel soit dégagé du trajet de la charge.
9. **NE PAS** tenter d'allonger la chaîne de levage ou de la réparer.
10. PROTÉGER la chaîne de levage des éclaboussures de soudage et autres agents de contamination.
11. **NE PAS** utiliser la chaîne de levage comme élingue ou l'enrouler autour de la charge.
12. **NE PAS** appliquer la charge sur le bout du crochet ou sur son verrou.
13. **NE PAS** appliquer la charge sans que la chaîne de levage soit assise adéquatement dans les roues ou engrenages de chaîne.
14. **NE PAS** appliquer la charge si le palier ne permet pas de répartir la charge également sur toutes les chaînes de levage.
15. **NE PAS** faire fonctionner hors de la portée de déplacement de la chaîne de levage.
16. **NE PAS** laisser une charge suspendue sans surveillance à moins que des précautions spécifiques aient été prises.
17. **NE PAS** permettre l'utilisation de la chaîne ou du crochet comme masse électrique pour soudage ou autre.
18. **NE PAS** permettre que la chaîne ou le crochet entre en contact avec une électrode de soudage sous tension.
19. **NE PAS** enlever ou cacher les signes d'avertissements sur le palan.
20. **NE PAS** faire fonctionner un palan qui n'a pas été fixé à un support convenable de façon sécuritaire.
21. **NE PAS** utiliser un palan à moins que des élingues ou une autre amarre de calibre approuvé soit correctement assise dans le creux du crochet.
22. **NE PAS** faire fonctionner le palan lorsque la chaîne ne peut pas se tendre en ligne droite de crochet à crochet dans l'axe de charge.
23. **NE PAS** soulever de charge qui n'est pas équilibrée et dont le levage n'est pas sécuritaire, en la déposant avec précaution.
24. **NE PAS** utiliser un palan à moins que toutes les personnes sont et demeurent à l'écart de la charge.
25. ÉMETTRE NOTICE de faute de fonctionnement ou de performance non usuelle d'un palan et le GARDER HORS SERVICE jusqu'à ce qu'il soit réparé.
26. **NE PAS** utiliser un palan dont les plaques ou décalques de sécurité sont absents ou non lisibles.
27. FAMILIARISEZ-VOUS avec les avertissements, manettes de commande et procédures d'opération.

### ATTENTION

L'opération inadéquate d'un palan peut créer une situation potentiellement dangereuse qui pourrait causer des blessures modérées ou mineures si elle n'est pas prévenue. Pour éviter une telle situation dangereuse l'opérateur doit :

1. Garder le pied ferme ou être autrement stable lors de l'opération du palan.
2. Vérifier le fonctionnement du frein en appliquant de la tension sur le palan avant chaque opération de levage ou de halage.
3. Utiliser les loquets de verrouillage des crochets. Les loquets de verrouillage sont destinés à retenir les élingues, chaînes etc., en situation non tendue seulement.
4. S'assurer que les loquets de verrouillage des crochets sont fermés et ne subissent aucun effort de levage de la charge.
5. S'assurer que le champ de déplacement de la charge n'est pas obstrué par quoi que ce soit.
6. Éviter de balancer la charge ou le crochet.
7. Inspecter le palan régulièrement, remplacer les composantes usées ou endommagées et garder un registre d'entretien approprié.
8. Utiliser seulement les pièces Columbus McKinnon pour les réparations de l'unité.
9. Lubrifiez la chaîne de levage selon les recommandations de ce manuel.
10. **NE PAS** opérer d'autre façon que par force manuelle.
11. **NE PAS** permettre que plus d'un opérateur à la fois ne tire sur la chaîne pour une seule main. Plus d'un opérateur causera vraisemblablement une surcharge du palan.
12. **NE PAS** laisser votre attention diverger de l'opération du palan.
13. **NE PAS** laisser le palan être soumis à l'abus causant des contacts sévères avec d'autres palans, structures ou autres objets.
14. **NE PAS** ajuster ou réparer le palan sauf si vous êtes qualifié à exécuter ces ajustements ou réparations.

**Les palans sont destinés à un usage industriel général pour le déplacement de charges en dedans de leurs capacités de charge nominales. L'utilisateur devrait s'informer des restrictions d'application dans des environnements ou manipulations sévères ou anormaux avant d'installer et d'utiliser le palan.**

#### CONDITIONS ENVIRONNEMENTALES ADVERSES

N'utilisez pas les palans dans des endroits émettant des vapeurs inflammables, des liquides, des gaz ou toute poussière ou fibre combustible. N'utilisez pas de palan dans des environnements hautement corrosifs, abrasifs, humides ou pour des applications exposées à des températures en dessous de -12° et au dessus de 55°C.

#### DÉPLACEMENT DE CHARGES DANGEREUSES

Les palans ne sont pas recommandés pour lever des matières qui pourraient causer des dommages extensifs en cas de chute. Le levage ou déplacement de matières qui pourraient exploser ou causer une contamination chimique ou radioactive nécessite des systèmes de support redondants à sûreté en cas de défaut intégrés, qui ne sont pas inclus dans ces palans.

# SPÉCIFICATIONS

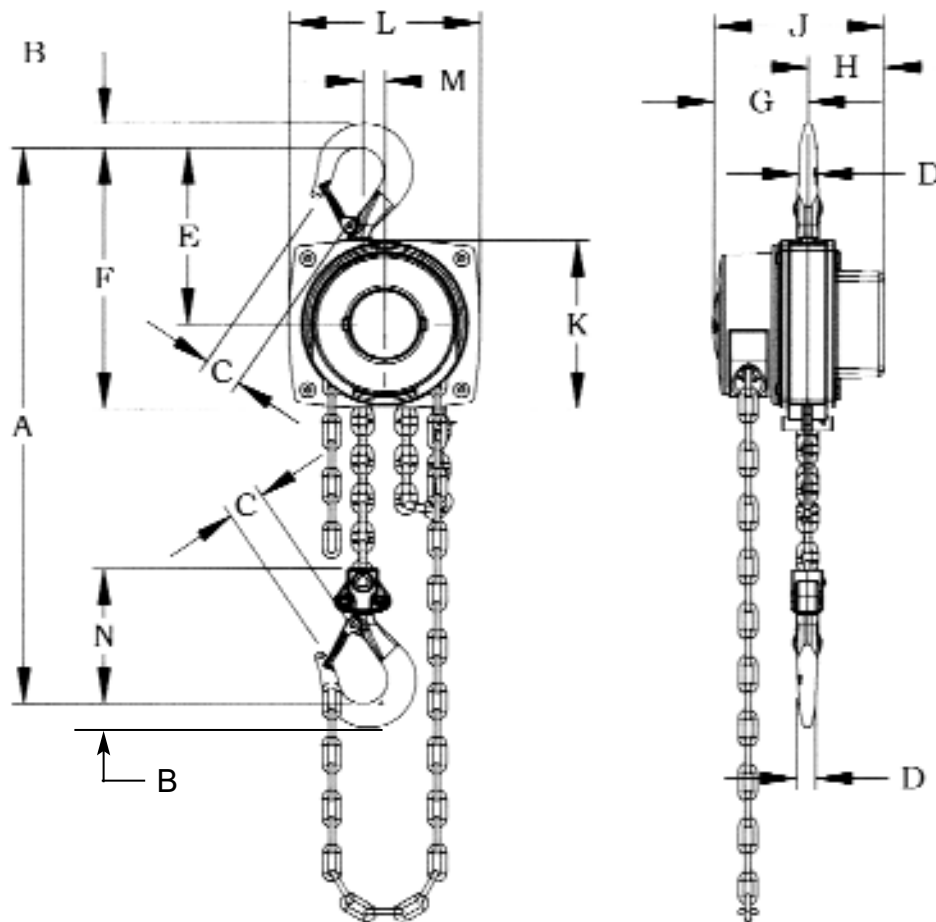


Figure 1 - Spécifications

Code de produit	Capacité nominale (Tonnes)	Portée (m)	Poids net (Kg.)	Force requise à la chaîne pour soulever la charge nominale (Kg.)	Chaîne d'actionnement manuel refaite pour soulever la charge (m)	Dimensions (mm.)												
						A	B	C	D	E	F	G	H	J	K	L	M	N
5623		2.4	9															
5624	1/2	3.7	10	20	30	300.0	17.0	24.0	11.0	139.0	205.5	98.8	60.5	159.3	133.0	148.0	24.2	110.0
5625		6.1	11															
5626		2.4	13															
5627	1	3.7	14	24	49	355.0	22.0	29.0	15.0	164.0	242.0	106.3	70.0	176.3	156.0	175.0	23.6	125.0
5628		6.1	16															
5629		2.4	20															
5630	2	3.7	22	34	71	395.0	30.0	35.0	21.0	192.0	283.0	120.0	82.5	202.5	182.0	203.0	31.4	156.0
5631		6.1	25															
5635		2.4	28															
5636	3	3.7	31	42	87	520.0	38.0	40.0	26.0	225.0	335.0	128.2	95.0	223.2	220.0	250.0	33.5	178.0
5637		6.1	36															
5639		2.4	38															
5640	5	3.7	43	34	174	640.0	45.0	47.0	30.0	241.5	351.5	128.2	95.0	223.2	220.0	250.0	20.5	284.5
5641		6.1	54															
5643		2.4	71															
5644	10	3.7	79	46	261	825.0	67.5	68.0	40.0	325.5	435.5	128.2	95.0	223.22	220.0	250.0	136.0	401.0
5654		6.1	95															

## INFORMATIONS GÉNÉRALES

Les palans à chaîne manuels CM® Hurricane sont des appareils de manutention des matériaux hautement versatiles pouvant être utilisés pour soulever des charges efficacement. Le bâti et les couvercles sont faits de plaques d'acier embouties. Les engrenages internes sont d'acier de haute qualité, ayant subi un traitement thermique. Des roulements à billes ou des coussinets supportent la roue de levage en acier revenu thermiquement. Les crochets supérieur et inférieur en acier forgé avec loquet de verrouillage sont de série. Un frein à friction n'incluant pas de rochet et cran d'arrêt comme ceux installés sur des palans similaires procure un contrôle de la charge positif et bloquera la charge à n'importe quel endroit.

Des palans de charge nominale de ½, 1, 2, 3, 5 et 10 Tonnes sont disponibles et ce manuel s'applique à toutes ces unités. Les hauteurs de levage standard sont 2,4, 3,7 et 6,1 m et des palans à hauteur de levage plus élevée sont disponibles par commande spéciale. Une chaîne à main en acier plaqué tombant à 2 pieds de moins que la hauteur de levée du palan est fournie.

Les palans manuels CM® Hurricane sont fabriqués selon les présentes spécifications et sont conformes au moment de leur fabrication à notre interprétation de la norme B30.16 "Overhead Hoists" de l'American Society of Mechanical Engineers (ASME). Une copie de cette norme peut être obtenue du département des commandes de l'ASME au 22 Law Drive, Box 2300, Fairfield, NJ 07007-2300, USA.

Ce manuel contient des informations importantes pour vous aider à installer, opérer et entretenir votre palan CM® Hurricane correctement pour procurer une performance, une économie et une sécurité maximales.

Veillez s.v.p. étudier son contenu entièrement avant de mettre votre palan en service. Vous vous assurerez ainsi d'un service prolongé, fiable et sécuritaire en mettant en œuvre les procédures d'opération adéquates et en exécutant les suggestions d'entretien préventif recommandées.

Après vous être familiarisé complètement avec le contenu de ce manuel, nous recommandons que vous le classiez pour référence future.

## POLITIQUE DE REMPLACEMENT ET DE RÉPARATION CM®

Tous les palans CM® Hurricane de CM® McKinnon sont inspectés et subissent un essai de performance avant d'être livrés. Si tout palan adéquatement entretenu développe un problème de rendement en dedans d'une période d'un an de la livraison à cause d'un défaut de matériau ou de main-d'œuvre, comme vérifié par CM®, la réparation ou le remplacement de l'unité sera effectué sans frais à l'acheteur original. Cette politique de remplacement et réparation ne s'applique seulement qu'aux palans CM® Hurricane installés, entretenus et utilisés selon les instructions de ce manuel, et exclue spécifiquement les palans assujettis à l'usure normale, l'abus, une mauvaise installation, un entretien impropre ou inadéquat, les effets d'environnements hostiles et les réparations ou modifications non autorisées.

Nous nous réservons le privilège de changer les matériaux ou conceptions si nous jugeons que de tels changements améliorera notre produit. L'abus, les réparations par des personnes non autorisées ou l'utilisation de pièces de remplacement autres que des pièces originales CM®, annulera la garantie et pourrait résulter en une opération dangereuse. Veuillez consulter le récépissé d'achat pour avoir les termes et conditions de vente complets. Référez vous également au couvercle arrière du palan pour connaître les limitations de garanties, les remèdes et dommages, la compensation et l'opération sécuritaire.

## DÉBALLAGE

Le palan devrait être inspecté soigneusement lors du déballage pour déceler tout dommage qui aurait pu survenir lors du transport ou de la manutention. Vérifiez si le bâti du palan est bosselé ou fissuré et inspectez la chaîne de levage pour déceler des encoches et gouges. S'il y a eu un dommage durant le transport, consultez les procédures sur l'enveloppe de la liste de colisage sur le carton.



### AVERTISSEMENT

L'opération d'une unité ayant des dommages extérieurs éminents peut résulter en la chute de la charge qui peut causer des blessures personnelles et/ou du dommage à la propriété.

#### POUR ÉVITER LES BLESSURES:

Vérifiez attentivement si l'unité a des signes de dommages extérieurs avant l'installation.

## INSTALLATION

Avant d'installer le palan :

1. Déterminez le poids de la charge à lever ou déplacer et assurez-vous qu'elle n'exécède pas la capacité nominale du palan.
2. Assurez-vous que le support ou l'élingue auquel le crochet supérieur sera attaché est de calibre suffisant pour supporter plusieurs fois le poids de la charge à soulever ou déplacer. Assurez-vous que le palan soit maintenu solidement dans la partie la plus élevée du crochet supérieur et que le loquet soit fermé et pas en contact avec le support ou l'élingue.



### AVERTISSEMENT

La fixation du palan à un support inadéquat peut résulter en la chute du palan et de la charge et causer des blessures et/ou des dommages à la propriété.


#### POUR ÉVITER LES BLESSURES:

Assurez-vous que la structure est suffisamment forte pour supporter plusieurs fois le palan chargé à pleine capacité.

3. L'aire dans laquelle le palan est installé doit être assez grande pour :
  - que l'opérateur puisse manipuler la chaîne facilement
  - que l'opérateur et d'autres employés soient à l'écart de la charge en tout temps.
  - que l'opérateur puisse garder le pied ferme.
  - que le bâti du palan soit dégagé de tout objet.
  - que le bâti soit libre de pivoter sur son crochet supérieur.

## INSTRUCTIONS D'OPÉRATION

Après avoir installé le palan, vérifiez son bon fonctionnement avant de le mettre en service régulier. Actionnez le palan en tirant sur la chaîne comme mentionné ci-bas.

 <b>AVERTISSEMENT</b>
Le palan peut causer des blessures s'il n'est pas utilisé comme indiqué.
<b>POUR ÉVITER LES BLESSURES:</b> Avant de faire fonctionner le palan CM® Hurricane, lisez toutes les instructions. N'utilisez seulement selon les indications ci-dessous.

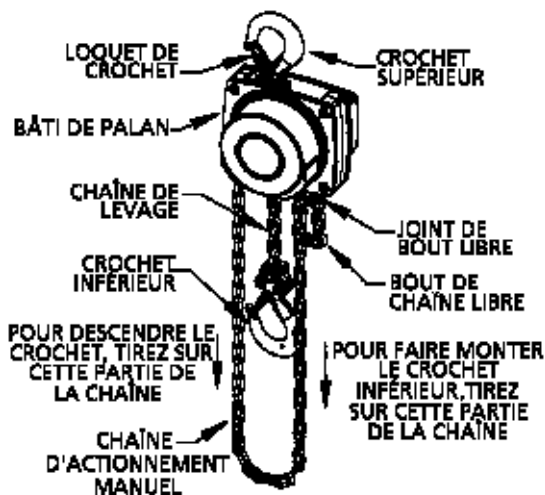


Figure 2 - Composantes principales du palan Hurricane

Actionnez le palan à vide, et ensuite avec une charge d'environ 23 Kg pour vous assurer qu'il fonctionne correctement et que le frein maintienne la charge lorsque la chaîne d'actionnement est relâchée. Ensuite, chargez le avec la charge nominale indiquée à la plaque signalétique.

### GÉNÉRAL

1. Le crochet de levage doit toujours être installée sur une charge permettant de maintenir la chaîne en ligne droite d'un crochet à l'autre. Le palan doit toujours être libre de pivoter sur lui-même au crochet supérieur. Le bâti du palan ne doit en aucune circonstance être en contact avec tout support lors de son utilisation parce que ceci causerait la torsion du crochet ou du cadre et endommagerait l'unité
2. Lorsque vous vous apprêtez à lever ou déplacer une charge, assurez vous que les points d'attache des deux crochets soient fermement assis dans scelles de ceux-ci. Évitez tout chargement décentré, spécialement le chargement sur la pointe du crochet. Suivez également la règle que la chaîne doit être suspendue en ligne directe du palan au crochet inférieur sans roulis.
3. Lors du levage, ne soulevez la charge seulement que suffisamment pour libérer le plancher ou le support sur lequel elle repose et faites une vérification de maintien du frein. Assurez-vous aussi que le point d'attache de la charge soit fermement assis dans le crochet. Ne poursuivez la levée qu'après vous être assuré que la voie de déplacement soit libre de tout obstacle.

4. Ne chargez pas le palan au delà de sa capacité. Les capacités nominales de levage peuvent être atteintes avec les forces de tirage suivantes :


Capacité nominale du palan (Tonnes)	Force requise à la chaîne pour soulever la charge nominale (kg)
1/2	29
1	35
2	38
3	42
5	36
10	46

Puisque ces forces de traction sur la chaîne peuvent facilement être appliquées par une seule personne, la chaîne du palan ne devrait dans aucune circonstance être actionnée par plus d'une personne. Cette palan est équipée d'une charge limitant dispositif. La présence de ce dispositif n'autorise pas l'application des surcharges. Choisissez toujours une palan dont capacité nominal est au-dessus de la charge à déplacer. Si la roue d'actionnement manuel glisse tout en fonctionnant, réduisez la charge ow utilisez un palan de capacité adéquate.

#### Note:

La charge limitant dispositif incorporé dans cette palan est efficace seulement quand la surcharge est soulevée ou tirée par le fonctionnement de la roue d'actionnement manuel. Elle ne se protégera pas contre des surcharges extérieurement appliquées.

5. Ne pas enrouler la chaîne autour de la charge ou laisser la charge entrer en contact avec le palan. Ceci causerait la perte de la fonction de pivot du crochet ce qui pourrait se traduire par un roulis de chaîne et une roue de levage bloquée. La chaîne pourrait s'endommager au niveau du crochet.
6. Ne demeurez pas sur le trajet des charges et ne déplacez pas de charge au dessus de la tête d'autres employés. Avertissez le personnel de votre intention de déplacer une charge dans leur secteur.
7. Ne laissez pas de charge en l'air sans supervision.
8. Ne descendez pas le crochet au point jusqu'à ce que la chaîne se raidisse entre la roue de levage et le joint de bout.
9. Ne montez pas le crochet inférieur jusqu'à ce qu'il fasse contact avec le bâti du palan. Il pourrait en résulter des dommages au bâti et/ou au guide de chaîne.

 <b>AVERTISSEMENT</b>
L'opération mécanisée peut causer des dommages structuraux ou une usure prématurée qui peut être la cause d'un bris pouvant permettre la chute de la charge.
<b>POUR ÉVITER LES BLESSURES:</b> N'actionnez les palans CM® Hurricane que manuellement.

10. Le palan est conçu pour opération manuelle seulement.
11. N'utilisez ce palan ou des équipements de levage de matériel à pont roulant ou autre pour soulever des personnes.
12. Ne laissez pas la charge s'appuyer contre le loquet de verrouillage du crochet. Le loquet sert à maintenir le crochet en position lorsque la chaîne est lâche avant sa mise en tension.



## AVERTISSEMENT

Une charge s'appuyant contre le verrou et/ou la pointe du crochet peut causer la perte de la charge.

### POUR ÉVITER LES BLESSURES:

Ne laissez pas la charge s'appuyer contre le verrou et/ou la pointe du crochet. N'appliquez la charge que dans la coupe ou scelle du crochet.

13. N'utilisez jamais le palan en présence de vapeurs ou de matériaux inflammables. Le contact violent entre pièces de métal peut produire une étincelle qui peut causer une explosion ou un feu.
14. **DEMEUREZ VIGILANT!** Utilisez votre jugement et surveillez ce que vous faites. N'utilisez pas le palan lorsque vous êtes fatigué ou sous l'influence de médicaments causant la somnolence, d'alcool ou de drogues.

## ENTRETIEN

### INSPECTION

Une procédure d'inspection régulière doit être mise en place de façon à ce que les pièces usées ou endommagées puissent être remplacées avant qu'elles ne deviennent dangereuses et pour maintenir une utilisation satisfaisante et continue. L'intervalle de temps entre les inspections doit être déterminé selon l'application individuelle et est basé sur le type de service auquel le palan est soumis. L'inspection des palans se groupe en deux classifications générales désignées "fréquentes" et "périodiques".

#### Inspections fréquentes :

Ces inspections sont des examens visuels effectués par l'opérateur ou autre personnel désigné. Les inspections fréquentes doivent être effectuées journalièrement et doivent couvrir ce qui suit :

- a. Le mécanisme de frein pour déceler un glissement - à tous les jours.
- b. La lubrification de la chaîne, son usure, les maillons endommagés ou l'insertion de matières étrangères - à tous les jours.

Toute anomalie notée doit être corrigée avant que le palan soit remis en service.

#### Inspections périodiques :

Ces inspections sont effectuées par une personne désignée qui garde un registre de l'apparence externe procurant une base d'évaluation continue. Les inspections périodiques doivent être effectuées annuellement pour un service normal et semi-annuellement pour un service intensif.

À cause de sa construction, il sera nécessaire de démonter le palan partiellement pour effectuer ces inspections. Elles devront inclure les points mentionnés sous inspection fréquentes ainsi que les suivantes :

- a. Vérification de l'excès d'usure ou étirement de la chaîne (selon les indications de la page suivante)
- b. Recherche de pièces usées, déformées ou fissurées telles les ensembles à crochet, les guides de chaîne d'actionnement et de levage, le dénukeur, la vérification du joint de bout de chaîne, des arbres, engrenages, coussinets et paliers.

- c. Inspection de l'usure de la bague d'entraînement, de marques sur la roue de la chaîne d'actionnement et dans les cavités intérieures des enclos des roues de levage et de la chaîne d'actionnement.
- d. Vérification de vis, écrous, goujons et goupilles fendues lâches ou manquants.
- e. Inspection du frein, usure, noircissement et contamination du disque et égratignure du moyeu ou de la plaque. Si l'épaisseur de la rondelle de frottement est moins que 0,8mm elle doit être remplacée.
- f. Remplacement d'insignes d'avertissement manquantes ou détériorées.
- g. Détection de corrosion d'étirement excessif ou de bris du ressort de frein.
- h. Si l'apparence externe indique un usage inhabituel, un essai de détection de fissures au crochet à la teinture pénétrante, aux particules magnétiques ou autre méthode appropriée devrait être effectué au moins une fois l'an.

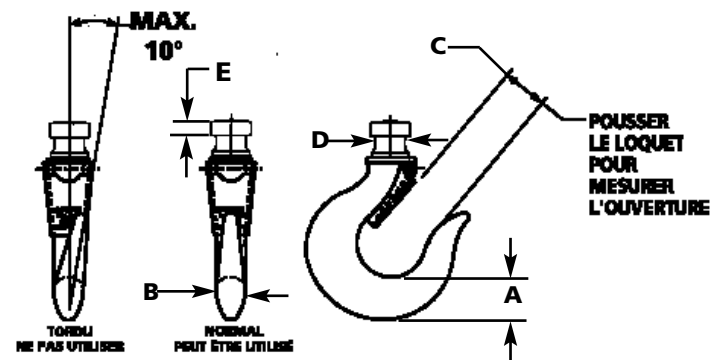
Toute anomalie notée doit être corrigée avant que le palan soit remis en opération. De plus, l'apparence externe peut indiquer le besoin d'inspection plus détaillée qui à son tour peut exiger des essais de type non destructifs.

Toutes les pièces jugées non réparables doivent être remplacées par des pièces CM® neuves avant d'utiliser le palan à nouveau. Il est très important que les pièces non réparables soient détruites et adéquatement mises au rebut pour prévenir la possibilité d'utilisation future comme pièces de rechange.

#### Inspection du crochet

Les crochets endommagés par des produits chimiques, qui sont déformés ou fissurés ou qui dévient de plus de 10° dans le plan non recourbé ou qui ont une ouverture ou une usure de scelle excessive, doivent être remplacés. De plus, les crochets dont la dimension de l'ouverture est telle que le loquet ne s'engage pas dans la pointe doivent être remplacés. Tout crochet tordu ou qui a une ouverture excessive démontre un abus ou une surcharge du palan. Les autres pièces qui contribuent au support de la charge devraient être inspectées également.

Figure 3 - Inspection du crochet



Capacité nominale du palan (Tonnes)	Dimensions critiques du crochet (mm)				
	A	B	C	D	E
1/2	17,0	11,0	24,0	11,0	5,5
1	22,0	15,0	29,0	15,0	6,0
2	30,0	21,0	35,0	19,0	9,0
3	38,0	26,0	40,0	22,0	11,0
5	45,0	30,0	47,0	28,0	12,0
10	67,5	40,0	68,0	35,0	17,0

Assurez-vous que le loquet n'est pas endommagé ou plié et qu'il fonctionne bien. La tension du ressort doit être suffisante pour qu'il repousse le verrou et le maintienne fermement contre la pointe du crochet. Remplacez le crochet si l'ouverture est plus grande que "C" ou si les épaisseurs en "A", "B", "D" ou "E" sont inférieures aux dimensions indiquées au tableau (voir figure 3, page 4).

## CHAÎNE DE LEVAGE

La chaîne doit s'engager facilement dans le palan dans les deux directions. Si la chaîne bloque, saute ou est bruyante, vous devez en premier lieu la lubrifier (voir plus loin). Si le problème persiste, inspectez la chaîne et vérifiez l'usure, la distorsion ou l'endommagement des pièces du mécanisme s'y rapportant.

### Inspection de la chaîne

Pour débiter, nettoyez la chaîne avec un solvant non acide/non corrosif et inspectez-la, maillon par maillon, pour détecter les encoches, marques, déformations, torsades, éclats de soudure, creux corrodés, stries (minuscules lignes parallèles), fissures dans les soudures, usure et élongation. Une chaîne ayant l'une ou l'autre de ces déficiences doit être remplacée.

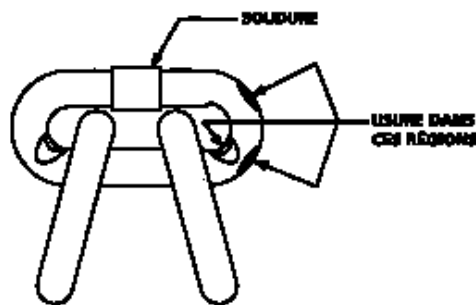


Figure 4 - Inspection de la chaîne

Dégagez la portion de la chaîne qui passe normalement sur la roue de levage. Examinez la région de contact pour déterminer le point d'usure maximum (poli). Mesurez et enregistrez le diamètre du matériel à ce point du maillon. Mesurez ensuite le diamètre du matériel au même endroit d'un maillon qui ne passe pas sur la roue de levage (sélectionner le maillon adjacent au joint de bout libre). Comparez ensuite ces deux mesures; si le matériel du maillon usé a une usure plus grande que 0,254 mm comparativement à celui du maillon non usé. La chaîne doit être remplacée.

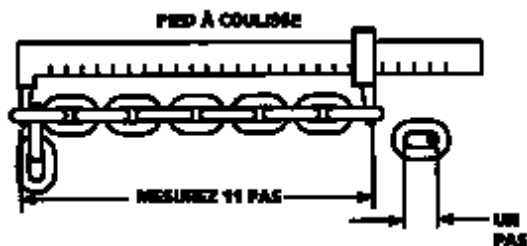


Figure 5 - Inspection de la chaîne

Vérifiez également l'élongation de la chaîne avec un vernier à coulisse comme illustré à la figure 5. Choisissez une section non usée, non étirée de la chaîne (généralement à l'extrémité libre) et mesurez/enregistrez la longueur de 11 maillons (pas) de chaîne. Prenez et enregistrez la même mesure sur une section usée; si l'élongation est supérieure à 3,683 mm, la chaîne doit être remplacée.

Pour éliminer la possibilité d'erreur de mesure de la pleine longueur, utilisez seulement un vernier à "pointe-tranchante".

## AVERTISSEMENT

L'utilisation de chaînes de levage autres que celles provenant de CM® peut occasionner un blocage dans le palan ou possiblement un bris de chaîne, ce qui causerait la chute de la charge.

### POUR ÉVITER LES BLESSURES:

Utilisez seulement des chaînes provenant de CM® conjointement avec vos palans CM® Hurricane pour respecter leurs besoins de dimensionnement et de caractéristiques physiques.

Une chaîne usée peut être une indication de pièces de palan usées. Pour cette raison, l'usure du guide de chaîne, du dévateur et de la roue de levage devraient être vérifiées et, besoin étant, être remplacées en même temps que la chaîne usée (voir DÉMONTAGE et ASSEMBLAGE à la page 6.)

De plus, la chaîne est spécialement traitée et revenue thermiquement et ne doit jamais être réparée.

**IMPORTANT:** N'utilisez pas une chaîne qui a été remplacée à d'autres fins de levage et halage. La chaîne peut soudainement se briser, même si elle n'a aucune déformation visuelle. Pour cette raison coupez la chaîne qui a été remplacée en sections courtes pour prévenir son utilisation et mettez la au rebut.

**NOTE:** La méthode d'inspection de la chaîne décrite ci-haut peut également être utilisée pour inspecter la chaîne d'actionnement pour vérifier son usure et étirement.

### Lubrification de la chaîne

Une faible quantité de lubrifiant prolongera grandement la vie de la chaîne de levage. Ne laissez pas la chaîne fonctionner à sec. Gardez-la propre et lubrifiez-la régulièrement avec le lubrifiant "Lubriplate® Bar and Chain Oil" 10-R (Fiske Bros. Refining Co.) ou un équivalent. Normalement, un nettoyage et une lubrification hebdomadaire sont suffisants, mais dans des environnements chauds et sales, il peut être nécessaire de nettoyer la chaîne ou moins une fois par jour et de la lubrifier plusieurs fois entre les nettoyages.

Le lubrifiant doit être appliqué en quantité suffisante pour obtenir la couverture totale, spécialement dans les intersections des maillons jusqu'à ce qu'il y ait coulage naturel.

## AVERTISSEMENT

Les huiles moteur usagées contiennent des substances cancérigènes connues.

### POUR ÉVITER LES BLESSURES:

N'utilisez jamais des huiles moteur usées comme lubrifiant à chaîne. N'utilisez que le lubrifiant " Lubriplate® Bar and Chain Oil " 10-R pour la chaîne de levage.

### LUBRIFICATION

Le palan ne nécessite normalement pas de lubrification additionnelle, sauf lorsqu'il a été démonté pour nettoyage ou réparation.

**IMPORTANT:** Le frein est conçu pour opérer à sec. N'utilisez aucune graisse ou lubrifiant sur les surfaces du frein. Lors de la lubrification des pièces adjacentes au frein, ne pas utiliser une quantité excessive de lubrifiant qui pourrait s'infiltrer jusqu'aux surfaces du frein.



## AVERTISSEMENT

Toute graisse ou lubrifiant sur les surfaces du frein causera le glissement du frein et la perte de la commande de la charge ce qui pourrait causer des blessures et/ou des dégâts matériels.

### POUR ÉVITER LES BLESSURES:

Ne pas mettre de graisse ou de lubrifiant sur les surfaces du frein. Le frein est conçu pour opérer à sec.

Si le palan est démonté pour être entretenu, réparé ou inspecté, enlever et bien nettoyer toute la graisse existante du palan et la remplacer par environ 1 once de graisse Poliplex 2 (Century Lubricants Co.) ou un lubrifiant équivalent qu'on appliquera sur la surface extérieure de l'arbre d'entraînement, sur les pignons, les filets internes du moyeu du frein, sur la surgace de la roue de levage (palan d'une demi-tonne), sur les douilles qui se trouvent à l'intérieur du couvercle des pignons et de la plaque latérale des pignons, sur les surfaces interne et externe des douilles du volant et sur le bord du couvercle du volant.

**IMPORTANT:** Pour assurer une longue vie et une performance optimale à votre palan, assurez-vous d'en lubrifier les différentes pièces avec les lubrifiants édictés ci haut. Si désiré, ces lubrifiants peuvent être commandés chez CM® (voir la figure 8, page 8).

## REMPACEMENT DE LA CHAÎNE DE LEVAGE

Pour remplacer la chaîne de levage, défaites l'ensemble crochet inférieur (656-17) de la chaîne. Défaites la chaîne du joint de bout libre (656-7) et actionnez le palan en descente jusqu'à ce que la chaîne sorte du palan. Insérez un fil d'acier par dessus la roue de levage. Attachez le fil à la nouvelle chaîne de sorte que la chaîne s'introduise au centre du bâti du palan. Positionnez la chaîne de manière que le premier maillon s'engage sur la roue de levage soit debout et que les joints soudés de tous les maillons dans cet axe soient du côté éloigné de la roue de levage. Tirez sur le fil jusqu'à ce que la chaîne s'engage sur la roue de levage. Faites tourner la roue de la chaîne d'actionnement jusqu'à ce que la chaîne sorte du côté libre du palan. Attachez la chaîne au joint de bout libre et attachez l'ensemble crochet inférieur à de sorte que le crochet inférieur soit directement en dessous du crochet du supérieur.

Ajustez le frein (voir AJUSTEMENT DU FREIN, page 7) et installez la chaîne de levage (voir REMPLACEMENT DE LA CHAÎNE DE LEVAGE ci-haut). Le palan doit subir des essais d'opération après son remontage (voir ESSAIS, page 8).

3. Pour remplacer le loquet de crochet, meulez la tête de son rivet de maintien et retirez le. Enlevez le loquet avec ressort et jetez le au rebut. Fixez le loquet et ressort neufs avec le goujon fourni dans le jeu pour loquet.

## DÉMONTAGE ET ASSEMBLAGE

Les fiches d'illustration et de pièces aux pages 11 et 12 montrent l'agencement général et le nom des pièces du palan manuel CM® Hurricane. Ces fiches devraient être consultées lors du démontage et de l'assemblage des unités de façon à ce que toutes les pièces soient installées correctement.

1. Il est nécessaire de démonter partiellement le palan pour pouvoir inspecter ou remplacer le disque de frein. Enlevez le capuchon de la roue de chaîne d'actionnement manuel (656-36) et le support du couvercle de cette roue (656-35). Soulevez le couvercle de cette même roue (636-34A) et faites le glisser vers le bas de la chaîne d'actionnement (656-31). Soulevez la chaîne d'actionnement hors de la cavité où la roue se trouve (656-27). Dévissez l'écrou de la roue (656-30A) et retirez l'activateur d'entraînement (656-29A) de l'arbre d'entraînement (656-10). Enlevez la roue de chaîne d'actionnement (656-27), son coussinet (656-26) et le ressort de frein (656-25). Retirez le moyeu du frein (656-24) et remplacez le s'il est égratigné excessivement. Vérifiez la surface à friction de la plaque de freinage (656-22A) et remplacez la si elle est égratignée excessivement. Examinez le disque de frein (656-23) pour juger de son degré d'usure, d'égratignure, de noircissement ou de contamination. Si l'épaisseur de la rondelle de frottement est moins que 0,8mm ou s'il est égratigné excessivement, noirci ou contaminé avec des matières étrangères, remplacez le avec un disque neuf. Après l'inspection du disque ou de son remplacement, réassemblez le palan en ordre inverse de ci-dessus et ajustez le frein (voir INSTALLATION DE RESSORT DE FREIN et AJUSTEMENT DU FREIN, page 7).
2. Pour inspecter ou remplacer la roue de levage, le guide de chaîne ou le dénudeur, il est nécessaire de démonter le palan. Enlevez la chaîne de levage (voir EMLACEMENT DE LA CHAÎNE DE LEVAGE ci-haut) et ensuite enlevez le capuchon de la roue de chaîne d'actionnement manuel (656-36) et le support du couvercle de cette roue (656-35). Soulevez le couvercle de cette même roue (636-34A) et faites le glisser vers le bas de la chaîne d'actionnement (656-31). Soulevez la chaîne d'actionnement hors de la cavité où la roue se trouve (656-27). Dévissez l'écrou de la roue (656-30A) et retirez l'activateur d'entraînement (656-29A) de l'arbre d'entraînement (656-10). Enlevez la roue de chaîne d'actionnement (656-27), son coussinet (656-26) et le ressort de frein (656-25). Retirez le moyeu du frein (656-24) et le disque de frein (656-23). Enlevez la circlip et la plaque de frein (656-22A) et la plaque latérale de la roue de la chaîne d'actionnement (656-9); et faites glisser l'arbre d'entraînement vers l'extérieur (656-10). Enlevez le dénudeur (656-6) et le guide-chaîne (656-5). Examinez le dénudeur, le guide chaîne, la roue de levage (656-8) et le joint de bout libre (656-7) pour voir s'il y a usure ou dommage.

Si le dénudeur, le guide-chaîne, et/ou le joint de bout sont usés ou endommagés, ils doivent être remplacés. Si la roue de levage n'est pas usée ou endommagée, réassemblez le palan en effectuant l'inverse des instructions ci-dessus. Si la roue de levage a besoin d'être remplacée, poursuivez le démontage du palan.

**NOTE:** Deux points d'attention à observer dans le démontage et ré-assemblage des engrenages:

- a) Des séparé rouleaux sont utilisés dans divers endroits dans quelques unités. Le soin doit être pris afin de ne pas perdre ou ne pas mal placer ces rouleaux.
- b) Pour l'opération appropriée, le nombre correct de rouleaux doit être installé aux points tournants. Appliquer la graisse aux rouleaux aidera à les tenir en position pendant l'assemblée



## AVERTISSEMENT

SI LE FREIN N'EST PAS CORRECTEMENT RÉGLÉ, LA CHARGE PEUT DESCENDRE ET PROVOQUER DES BLESSURES ET/OU DES DOMMAGES MATÉRIELS.

### POUR ÉVITER LES BLESSURES:

- RÉGLER LE FREIN COMME IL EST INDIQUÉ CI-DESSOUS.

Enlevez le couvercle d'engrenage (656-1), les couvercles latéraux (656-4A) et les engrenages (656-12). Enlevez la bague de retenue de l'engrenage de la roue de levage (656-11) et retirez l'engrenage. Enlevez la roue de levage et remplacez-la. Vérifiez si les engrenages et les autres pièces ont une usure excessive, des fissures ou sont déformées. Remplacez les pièces qui en ont besoin et ensuite réassemblez l'unité en procédant de façon inverse à son démontage.

Ajustez le frein (voir AJUSTEMENT DU FREIN, page 7) et installez la chaîne de levage (voir REMPLACEMENT DE LA CHAÎNE DE LEVAGE ci-haut). Le palan doit subir des essais d'opération après son remontage (voir ESSAIS, page 8).

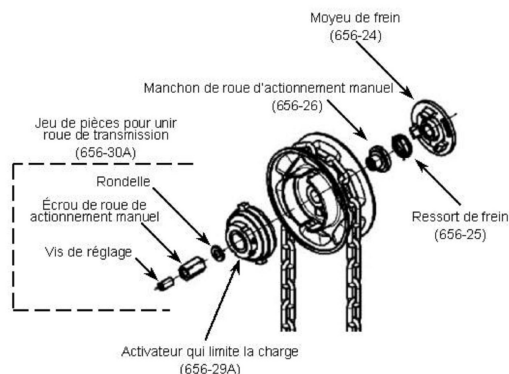
3. Pour remplacer le loquet de crochet, meulez la tête de son rivet de maintien et retirez le. Enlevez le loquet avec ressort et jetez le au rebut. Fixez le loquet et ressort neufs avec le goujon fourni dans le jeu pour loquet.

## INSTALLATION DE RESSORT DE FREIN:

**NOTE:** Pour le fonctionnement approprié de frein le ressort de frein doit être préchargé comme décrit ci-dessous.

1. Plac le bras C-formé le ressort de frein (656-25) dans la fente sur l'extérieur de la douille de volant de commande (656-26).
2. Glissez la douille de volant de commande sur l'axe cannelé de charge avec le bras inférieur le ressort de frein a localisé 90 degrés (1/4 tour) dans le sens des aiguilles d'une montre de la fente au moyeu de frein (656-24).
3. Glissez la douille de volant de commande toute la manière sur l'arbre d'entraînement à l'aide d'un petit tournevis pour déplacer le bras le ressort de frein dans le sens contraire des aiguilles d'une montre et dans la fente sur le disque de frein.
4. Le ressort est maintenant correctement préchargé.

**NOTE:** La douille de volant de commande doit rester en place pendant le reste de l'ensemble de frein et de l'opération d'ajustement pour assurer le bras sur les séjours de ressort de frein occupés dans la fente sur le moyeu de disque. Si ce bras devient répétition désengagée ce procédé.



## AJUSTEMENT DU FREIN

Pour ajuster le frein:

1. Enlevez la grue de la structure porteuse et étendez-la sur une surface de fonctionnement plate avec les revêtements de volant de commande vers le haut.
2. Enlevez les trois vis fixant le chapeau central en plastique et enlevez le chapeau de la couverture de volant de commande.
3. Bloquez le loadchain en insérant un tournevis ou une goupille par la chaîne de charge juste au-dessous de l'armature de grue. Actionnez le volant de commande dans la direction haute pour enlever le mou de la fermeture et de fermer de chaîne de charge le frein.

**NOTE:** Ce frein doit rester fermé dans tout le reste de cet ajustement.

4. Tournez le volant de commande lentement dans le sens contraire des aiguilles d'une montre jusqu'à ce qu'il entre en contact avec un arrêt. Faites attention pour ne pas forcer le volant de commande contre l'arrêt, ouvrant le frein.

**NOTE:** Ce volant de commande doit rester dans cette position dans tout le reste de cet ajustement.

5. Enlevez la vis de réglage du centre de l'arbre d'entraînement.
6. Enlevez l'écrou et la rondelle de retenue de volant de commande.
7. Enlevez le limiteur de charge.
8. En déplaçant le plat de conducteur du limiteur de charge dans les deux sens, localisez le centre du voyage. Placez le plat de conducteur en cette position.
9. En faisant attention pour maintenir le plat de conducteur dans la position centrale, placez le montage de limiteur de charge sur l'arbre d'entraînement cannelé ainsi les bouts du plat de conducteur engagent les fentes dans le volant de commande.

**NOTE:** Il peut être nécessaire de tourner le limiteur de charge 180 degrés (tour de 1/2) pour localiser un endroit de cannelure de sorte que les bouts du plat de conducteur engagent les fentes dans le volant de commande tout en maintenant le plat de conducteur au centre approximatif de son voyage.

10. Tenez le conducteur en cette position et installez la rondelle et l'écrou. Serrez l'écrou à 20 Nm et installez et serrez la vis de réglage pour fermer cet écrou en place.
11. Vérifiez l'opération de grue en soulevant et en abaissant une charge de 50 livres (23 kg) environ 6 pouces (150 mil limètres). La grue devrait fonctionner sans à-coup en se soulevant et en s'abaissant et tient la charge quand le handchain est libéré. Répétez cet essai avec une charge évaluée de capacité. S'il est difficile d'utiliser la grue dans ou la direction ou si la grue ne tient pas la répétition suspendue de charge cette procédure de réglage.
12. Remplacez le chapeau central dans la couverture de volant de commande.

## AJUSTEMENT DU LIMITEUR DE CHARGE

Pour ajuster le limiteur de charge:

1. Enlevez la grue de la structure porteuse et étendez-la sur une surface de fonctionnement plate avec les revêtements de volant de commande vers le haut.
2. Enlevez les trois vis fixant le chapeau central en plastique et enlevez le chapeau de la couverture de volant de commande.
3. Bloquez le loadchain en insérant un tournevis ou une goupille par la chaîne de charge juste au-dessous de l'armature de grue.

## Entretien (Suite)

mature de grue. Actionnez le volant de commande dans la direction haute pour enlever le mou de la fermeture et de fermer de chaîne de charge le frein.

4. Desserrez les deux vis de réglage dans le côté de l'écrou rond avec des entaillles.
  5. Pour changer l'ajustement du limiteur de charge serrez le écrou rond avec des entaillles pour augmenter l'arrangement ou desserrez le écrou rond avec des entaillles pour diminuer l'arrangement
  6. Réalisez les essais requis de charge après l'ajustement. (Voir ESSAIS, la page 8). Mettez à jour l'ajustement au besoin.
- NOTE:** Les palan ne devrait pas pouvoir soulever 150% de sa capacité si le limiteur de charge a été correctement ajusté.
7. Serrez les deux vis de réglage dans le côté de l'écrou rond avec des entaillles.
  8. Remplacez le chapeau central dans la couverture de volant de commande.

### LUBRIFICATION

Si le palan est démonté pour être entretenu, réparé ou inspecté, enlever et bien nettoyer toute la graisse existante du palan et la remplacer par environ 1 once de graisse Poliplex 2 (Century Lubricants Co.) ou un lubrifiant équivalent qu'on appliquera sur la surface extérieure de l'arbre d'en traînement, sur les pignons, les filets internes du moyeu du frein, sur la surgace de la roue de levage (palan d'une demitonne), sur les douilles qui se trouvent à l'intérieur du couvercle des pignons et de la plaque latérale des pignons, sur les surfaces interne et externe des douilles du volant et sur le bord du couvercle du volant.

### ENGRENAGES

Les engrenages (656-12) n'ont pas à être "minutés" et par conséquent ne nécessitent pas d'être orientés dans une certaine position lors de leur montage. Cependant, pour l'opération adéquate des unités de 1,3,5 et 10 Tonne, un

engrenage identifié "A" et un engrenage identifié "B" doivent être utilisés.

### ENTRETIEN PRÉVENTIF

En plus des procédures d'inspection, un programme d'entretien préventif devrait être établi pour prolonger la vie du palan et maintenir sa fiabilité et son service sécuritaire continu. Le programme devrait inclure les inspections périodiques en portant une attention particulière à la lubrification des divers composants en utilisant les lubrifiants recommandés (voir la figure 8)

### ESSAIS

Tout palan qui a été réparé ou qui n'a pas été utilisé pendant 12 mois doit être éprouvé avant son utilisation régulière.

En premier lieu, essayer l'unité sans charge et ensuite avec une faible charge de 46 kg multiplié par le nombre de pièces ou chaînes qui chargent le support pour être sûr d'une opération adéquate et que le frein maintienne la charge lorsque la

RAPPORT D'INSPECTION			
ARTICLE	REMARQUES (DÉCRIRE LES DÉFAUTS ET LES ACTIONS RECOMMANDÉES)		
Signature	Date de Inspection	Approuvé	Date

Figure 7 - Rapport d'inspection Recommandé

CÉDULE DE LUBRIFICATION RECOMMANDÉE *						
PALANS MANUELS CM® HURRICANE						
RÉFÉRENCE (VOIR LES PAGES 12 ET 13)	COMPOSANTES	TYPE DE LUBRIFIANT	NO. DE PIÈCE**	TYPE DE SERVICE ET FRÉQUENCE DE LUBRIFICATION		
				DUR	RÉGULIER	ALLÉGÉ
656-28	Chaîne de levage	Huile Lubriplate ® Bar and Chain #10-R	28619 (bidon 3,8 L)	Journalier	Hebdomadaire	Mensuel
656-11 656-12 656-13 656-17	Surfaces des engrenages et paliers, et boutons de crochets supérieur et inférieur	Poliplex 2	28629 (bidon 0,45 Kg)	Lorsque le palan est démonté pour nettoyage ou réparation		

\* Cette cédule de lubrification est basée sur une opération dans un environnement normal. Les palans opérant dans des conditions atmosphériques adverses, de chaleur excessive, de vapeurs corrosives, de poussière abrasive etc., devraient être lubrifiées plus fréquemment.

\*\* Voir les INSTRUCTIONS DE COMMANDE en page 11.

Figure 8 - Cédule de lubrification Recommandée

## Entretien (Suite)

chaîne d'actionnement est relâchée; ensuite, éprouvez l'unité à 125% de sa capacité.

De plus, les palans dont les pièces supportant la charge ont été remplacées doivent être éprouvés à 125% de leur capacité sous la supervision d'une per-

sonne désignée et un rapport d'essai doit être rédigé pour référence.

**Note:** Puisque cette palan est équipée d'une charge limitant le dispositif le glissement qu'occasionnel de la roue d'actionnement manuel peut se produire en examinant avec 125 pour cent

d'capacité nominale.

**NOTE:** Pour de plus amples informations concernant les inspections et essais, consultez la norme B30.16 de l'ASME intitulée "Overhead Hoists" disponible du Département des commandes de l'ASME, 22 Law Drive, Box 2300, Fairfield, New Jersey 07007-2300 U.S.A.

### LISTE D'INSPECTION ET D'ENTRETIEN PALAN MANUEL

Type de palan \_\_\_\_\_

Capacité (Tonnes) \_\_\_\_\_

Localisation \_\_\_\_\_

Date d'installation initiale \_\_\_\_\_

Manufacturier \_\_\_\_\_

No. de série. \_\_\_\_\_

Article	Intervalle d'inspection		Défectuosités possibles	OK	Action requise
	Fréquente	Périodique			
	Journalière	Chaque 3 mois			
Mécanisme de frein	*	*	Glissement ou jeu excessif. Disques de frein usés, polis ou contaminés. Épaisseur de la rondelle de frottement est moins que 0,8mm		
Roue d'actionnement	*	*	Tendue et ne bouge pas librement.		
Chaîne de levage	*	*	Lubrification inadéquate, usure ou étirement excessif, corrodée ou obstruée de matières étrangères, mailons fissurés, endommagés ou tordus.		
Crochets	*	*	Ouverture excessive, tordus de plus de 10°, loquet endommagé ou non opérationnel, dommage par agents de contamination chimique, fissures (utiliser de la teinture pénétrante, méthode magnétique ou une autre méthode de détection appropriée au moins une fois l'an).		
Ensembles de crochets inférieur et supérieur, goujon de crochet supérieur, guide-chaîne, manchons, engrenages, pignon et plaque de frein		*	Fissures, distorsion, usure excessive, corrosion ou accumulation de matières étrangères.		
Pointe de l'activateur, butoirs intérieur et extérieur de la roue d'actionnement et pattes du moyeu du frein		*	Fissures, distorsion, usure excessive, corrosion ou accumulation de matières étrangères.		
Cavité de roue de levage, dénudeur et plaques latérales		*	Fissures, distorsion, usure excessive, corrosion ou accumulation de matières étrangères.		
Boulons /écrous /goujons / goupille fendue		*	Fissures, déviations, desserrage, filets endommagés.		
Ressort de frein		*	Corrosion, étirement ou bris.		
Joint de bout libre de chaîne		*	Absent, fissuré, non retenu fermement à la chaîne, non localisé correctement.		
Plaque signalétique, étiquettes et tube d'avertissement		*	Absents, endommagés ou non lisibles.		

**NOTE:** Pour plus d'information consultez les sections Inspection et entretien de ce manuel.

#### INTERVALLE D'INSPECTION

- Fréquente indique les items nécessitant une inspection journalière ou bien avant chaque utilisation. Ces inspections peuvent être effectuées par l'opérateur s'il a reçu les instructions appropriées.

- Périodique indique les pièces nécessitant une inspection à tous les trois mois qui doivent être effectuées par ou sous la supervision de personnes proprement entraînées. L'intervalle d'inspection dépendra de la fréquence et du type d'usage. La détermination de cet intervalle sera basé sur l'expérience de l'utilisateur. Il est recommandé de débiter par une inspection trimestrielle et l'étendre selon l'expérience à un intervalle semi-annuel ou annuel

**NOTE:** Cette liste d'inspection et d'entretien est selon notre interprétation des exigences de la norme "Safety Standard for Overhead Hoists" ASME B30.16. Il est cependant la responsabilité ultime de l'employeur/utilisateur d'interpréter et de se conformer aux exigences applicables de cette norme de sécurité.

Figure 9 - Liste d'inspection et d'entretien recommandée.

## Tableau de dépistage

Symptôme	Cause(s) possible(s)	Action corrective
1. Palan difficile à opérer dans les deux directions.	A) Chaîne de levage excède les tolérances d'usure et bloque entre la roue de levage et le guide-chaîne.	A) Vérifiez la chaîne, (voir p. 5) et remplacez-la si elle est excessivement usée.
	B) Chaîne de levage rouillée, corrodée ou bloquée avec matière étrangère telle ciment ou boue.	B) Nettoyer la chaîne par polissage à friction ou en utilisant un solvant non caustique. Vérifiez si la chaîne comporte des éraflures, des maillons endommagés pliés. Lubrifiez avec l'huile Lubriplate® Bar and Chain Oil 10-R (Fiske Bros Refining Co) ou un équivalent.
	C) Chaîne de levage endommagée.	C) Vérifiez si la chaîne a des encoches, gouges, possède des maillons pliés ou tordus. Remplacez la si elle est endommagée.
	D) Roue de levage.	D) Nettoyez les cavités. Remplacez la si nécessaire.
	E) Chaîne d'actionnement manuel excède les tolérances d'usure et de ce fait, bloque entre la roue d'actionnement et le couvercle.	E) Vérifiez le dimensionnement de la chaîne ( Voir p. 5).
	F) Roue d'actionnement manuel obstruée avec des matières étrangères ou excessivement usée, causant le coincement de la chaîne entre la roue d'actionnement et le couvercle.	F) Nettoyez les cavités. Remplacez la roue si elle est excessivement usée.
	G) Roue de levage ou dents d'engrenage déformées.	G) Une surcharge excessive a été appliquée. Remplacez les pièces endommagées.
2. Le palan est difficile à opérer en direction vers le bas.	A) Des pièces du frein sont corrodées ou enduites de matières étrangères.	A) Démontez le frein et nettoyez à fond (avec un chiffon, non par lavage dans un solvant). Remplacez le disque de frein s'il est collant, visiblement usé, ou enduit de matières étrangères. Garder les surfaces du disque et du frein propres et sèches.
	B) Frein non ajusté.	B) Réajustez le frein (Voir la page 7)
	C) Coincement de la chaîne.	C) Voir les articles 1A, 1B et 1C.
3. Le palan est difficile à opérer en direction vers le haut.	A) Coincement de la chaîne.	A) Voir les articles 1A, 1B et 1C.
4. Le frein ne fonct. pas dans l'une ou l'autre direction.	A) Butoirs d'arrêt ou activateur brisés.	A) Remplacez la/les pièce(s) endommagée(s)
	B) Engrenages coincés	B) Vérifiez s'il y a des matières étrangères entre les dents d'engrenage.
5. Le palan ne fonctionne pas en direction vers le bas.	A) Frein verrouillé à cause d'une charge soudainement appliquée, d'un à coup, ou l'enlèvement de la charge d'autre façon que la descente du crochet.	A) Pour dégager le frein, gardez la chaîne tendue avec sa charge et tirez rapidement sur la chaîne d'actionnement vers le bas.
	B) Coincement de la chaîne	B) Voir les articles 1A, 1B et 1C.
	C) Crochet inférieur descendu au plus bas et la chaîne sortie au maximum.	C) La chaîne se bande entre la roue de levage et le joint de bout libre. N'actionnez le palan que vers le haut.
6. Le palan ne fonct. pas en direction vers le haut.	A) Coincement de la chaîne	A) Voir les articles 1A, 1B et 1C
	B) Surcharge	B) Si la roue d'actionnement manuel glisse tout en fonctionnant, réduisez la charge ou utilisez un palan de capacité adéquate.
7. Le palan ne maintient pas la charge en suspension.	A) Le crochet inférieur ou le côté de charge de la chaîne est du mauvais côté de la roue de levage.	A) Mettez le crochet inférieur du même côté que le crochet supérieur sur la roue de levage.
	B) Le frein n'est pas correctement ajusté.	B) Réajustez le frein (Voir page 7).
	C) Butoirs d'arrêt ou activateur brisés.	C) Remplacez la/les pièce(s) endommagée(s).
	D) Pièces de frein usées	D) Remplacez les pièces de frein qui sont usées.
	E) Corrosion, huile ou saleté aux endroits de friction du frein.	E) Voir article 2A.

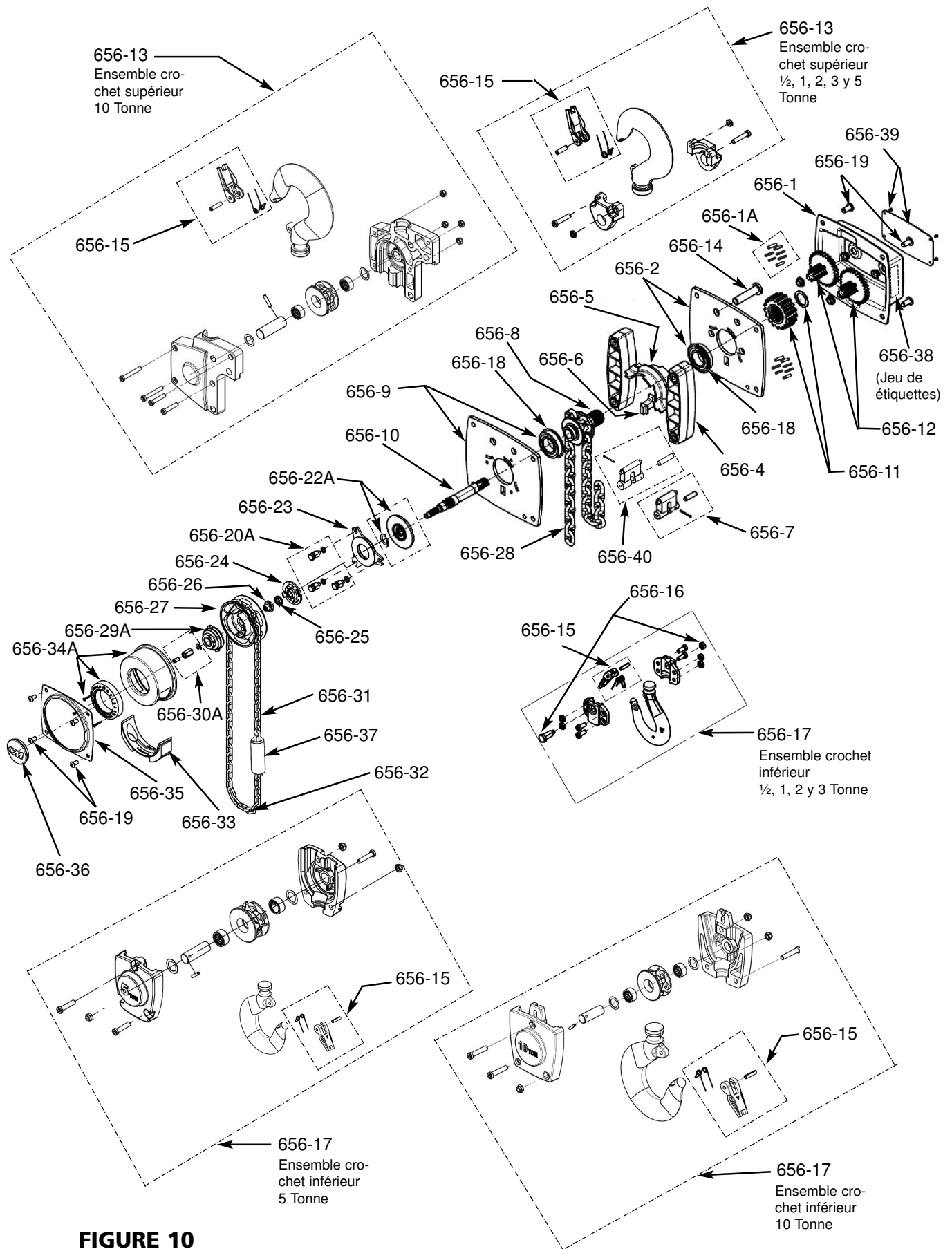
## Liste de pièces de rechange

Code	Description	Numéro de la pièce						Qte.
		1/2 Tonne	1 Tonne	2 Tonne	3 Tonne	5 Tonne	10 Tonne	
656-1	Couvercle d'engrenage avec manchons	00400416	00400417	00400418	00400641	00400641	00400641	1
656-1A	Jeu de rouleaux de roulement	---	---	---	65600001	65600001	65600001	1
656-2	Plaque côté engrenage (avec paliers et manchons)	00400419	00400420	00400421	00400642	65600002	00400642	1
656-4A	Couvercle	00400355	00400267	00400305	00400472	00400472	00400472	2
656-5	Guide-chaîne	00400328	00400240	00400287	00400453	00400453	00400453	1
656-6	Dénudeur de déchets	00400327	00400229	00400280	00400465	00400465	00400465	1
656-7	Joint de bout de chaîne libre (avec goujon et goupille fendue)	00400422	00400423	00400424	00400643	00400643	00400643	1
656-8	Roue de levage	00400334	00400236	00400283	00400452	00400452	00400452	1
656-9	Plaque latérale de roue d'actionnement manuel (avec roulement à billes)	00400425	00400426	00400427	00400644	65600003	00400644	1
656-10	Arbre d'entraînement	00400774	00400743	00400751	00400761	00400761	00400761	1
656-11	Engrenage et baque de retenue de la roue de levage	00400428	00400429	00400430	00400645	00400645	00400645	1
656-12	Jeu d'engrenage (2 engrenages)	00400431	00400432	00400433	00400646	00400646	00400646	1
656-13	Ensemble crochet supérieur	00400344	00400272	00400281	00400478	00400512	00400524	1
656-14	Goujon pour crochet supérieur	00400354	00400270	00400307	00400482	00400514	00400482	1
656-15	Jeu de loquet pour crochet	00400449	00400450	00400451	00400647	65600004	65600005	2
656-16	Goujon/écrou de chaîne pour crochet inférieur	00400434	00400435	00400436	00400648	---	---	1
656-17	Ensemble crochet inférieur	00400342	00400274	00400309	00400480	00400499	00400517	1
656-18	Roulement de roue de levage	00400329	09151118	09151109	09151121	09151121	09151121	2
656-19	Quincaillerie pour Couvercle (8 vis)	00400437	00400437	00400438	00400649	00400649	00400649	1
656-20A	Quincaillerie de frein (3 vis d'entretoise et frein d'écrou)	65600006	65600007	65600008	65600009	65600009	65600009	1
656-22A	Plaque d'frein et circlip	65600010	65600010	65600011	65600012	65600012	65600012	1
656-23	Disque de frein	00400848	00400848	00400849	00400849	00400849	00400849	1
656-24	Moyeu de frein	00400742	00400742	00400764	00400764	00400764	00400764	1
656-25	Ressort de frein	00400746	00400746	00400767	00400767	00400767	00400767	1
656-26	Manchon de roue d'actionnement manuel	00400745	00400745	00400765	00400765	00400765	00400765	1
656-27	Roue d'actionnement manuel	00401060	00400951	00400889	00400880	00400880	00400880	1
656-28	Chaîne de levage - spécifiez la longueur requise	85834 (5 x 15•T8)	85959 (6 x 18•T8)	635131 (8 x 24•T8)	85960 (10 x 30•T8)	85960 (10 x 30•T8)	85970 10 x 30•T10	---
656-29A	Activateur qui limite la charge	00400686	00400686	00400890	00400891	00400891	00400891	1
656-30A	Jeu de pièces pour unir roue de transmission	65600013	65600013	65600014	65600014	65600014	65600014	1
656-31	Chaîne d'actionnement - spéc. la longueur requise	04307654	04307654	04307654	04307654	04307654	04307654	---
656-32	Union pour chaîne d'actionnement	00404733	00404733	00404733	00404733	00404733	00404733	1
656-33	Guide de chaîne d'actionnement	00400346	00400263	00400301	00400468	00400468	00400468	1
656-34A	Couvercle de roue d'actionnement	65600015	65600016	65600017	65600018	65600018	65600018	1
656-35	Support de couvercle de roue d'actionnement	00400349	00400266	00400304	00400470	00400470	00400470	1
656-36	Capuchon de roue d'actionnement	00400415	00400415	00400415	00400415	00400415	00400415	1
656-37	Tube d'avertissement	22296	22296	22296	22296	22296	22296	1
656-38	Jeu d'étiquettes d'avertissement (3 étiquettes)	56814	56815	56816	56825	56825	56825	1
656-39	Jeu de plaque signalétique (plaque et 4 vis)	00400439	00400440	00400444	65600019	65600020	65600021	1
656-40	Joint de bout Chaîne de levage (avec goujon et goupille fendue)	---	---	---	---	65600022	---	1

### INSTRUCTIONS DE COMMANDE

**Les informations suivantes doivent accompagner toute correspondance et commande de pièces de rechange:**

1. Capacité nominale du palan (plaque signalétique).
2. No. de série (plaque signalétique).
3. Hauteur de levage.
4. # Code de pièce (de liste de pièces de rechange).
5. Nombre de pièces requises.
6. Nom de partie (de liste des pièces de rechange).
7. Numéro de la pièce (de liste des pièces de rechange).



**FIGURE 10**  
**ÉCLATÉ-PALAN MANUEL**  
**CM® HURRICANE**





Note: When ordering parts, always furnish rated load and serial number of hoist on which the parts are to be used. For the location of the nearest CM Master Parts Depot, see the list located on the inside front cover.

#### **LIMITATION OF WARRANTIES, REMEDIES AND DAMAGES**

THE WARRANTY STATED BELOW IS GIVEN IN PLACE OF ALL OTHER WARRANTIES, EXPRESS OR IMPLIED, OF MERCHANTABILITY, FITNESS FOR A PARTICULAR PURPOSE, OR OTHERWISE, NO PROMISE OR AFFIRMATION OF FACT MADE BY ANY AGENT OR REPRESENTATIVE OF SELLER SHALL CONSTITUTE A WARRANTY BY SELLER OR GIVE RISE TO ANY LIABILITY OR OBLIGATION.

Seller warrants that on the date of delivery to carrier the goods are free from defects in workmanship and materials.

SELLER'S SOLE OBLIGATION IN THE EVENT OF BREACH OF WARRANTY OR CONTRACT OR FOR NEGLIGENCE OR OTHERWISE WITH RESPECT TO GOODS SOLD SHALL BE EXCLUSIVELY LIMITED TO REPAIR OR REPLACEMENT, F.O.B. SELLER'S POINT OF SHIPMENT, OF ANY PARTS WHICH SELLER DETERMINES TO HAVE BEEN DEFECTIVE or if Seller determines that such repair or replacement is not feasible, to a refund of the purchase price upon return of the goods to Seller.

Any action against Seller for breach of warranty, negligence or otherwise, must be commenced within one year after such cause of action occurs.

NO CLAIM AGAINST SELLER FOR ANY DEFECT IN THE GOODS SHALL BE VALID OR ENFORCEABLE UNLESS BUYER'S WRITTEN NOTICE THEREOF IS RECEIVED BY SELLER WITHIN ONE YEAR FROM THE DATE OF SHIPMENT.

Seller shall not be liable for any damage, injury or loss arising out of the use of the goods if, prior to such damage, injury or loss, such

Nota: Cuando solicite piezas de repuesto proporcione siempre la carga nominal y el número de serie del polipasto para el que se solicitan las piezas.

#### **LIMITACIÓN DE GARANTÍAS, VÍAS Y DAÑOS**

ESTA GARANTÍA ES LA ÚNICA GARANTÍA VÁLIDA Y ANULA CUALQUIER OTRA EXPRESA O IMPLÍCITA DE APROVECHAMIENTO, APTITUD PARA UN PROPÓSITO ESPECÍFICO O CUALQUIER OTRA, SIN PROMESA NI AFIRMACIÓN DE HECHO REALIZADA POR CUALQUIER AGENTE O REPRESENTANTE DEL VENDEDOR QUE CONSISTE EN UNA GARANTÍA POR PARTE DEL VENDEDOR NO REPRESENTARÁ NINGUNA OBLIGACIÓN O RESPONSABILIDAD.

El vendedor garantiza que en la fecha de entrega del producto al transportista éste está libre de defectos de materiales o de mano de obra.

LA ÚNICA OBLIGACIÓN DEL VENDEDOR EN CASO DE INCUMPLIMIENTO DE LA GARANTÍA O CONTRATO POR NEGLIGENCIA O POR CUALQUIER OTRO MOTIVO CON RESPECTO A LOS BIENES VENDIDOS ESTARÁ LIMITADA EXCLUSIVAMENTE A LA REPARACIÓN O CAMBIO DESDE EL PUNTO DE ENVÍO DEL VENDEDOR, DE LAS PIEZAS QUE EL VENDEDOR DETERMINE QUE SON DEFECTUOSAS o bien, si el Vendedor determina que tales reparaciones o cambios no son factibles, devolverá al Comprador el importe del precio abonado cuando el Comprador devuelva la mercancía la Vendedor.

Cualquier acción contra el Vendedor por incumplimiento de la garantía, negligencia o por cualquier otro motivo deberá iniciarse el mismo año en que tal acción tenga lugar.

SI LAS RECLAMACIONES CONTRA EL VENDEDOR POR CAUSA DE CUALQUIER DEFECTO DE LOS PRODUCTOS NO SE REALIZA MEDIANTE UN ESCRITO POR PARTE DEL COMPRADOR EN EL MISMO AÑO DE LA FECHA DE ENVÍO NO SERÁ VÁLIDA NI SE PODRÁ EJECUTAR.

Note : Mentionnez toujours la charge nominale du palan, et son no. de série lorsque vous commandez des pièces de rechange. Consultez la liste à l'intérieur du couvercle frontal pour connaître le dépôt maître de pièces CM.

#### **DOMMAGES, CORRECTIFS ET LIMITATION DE GARANTIE**

LA GARANTIE ÉNONCÉE CI-DESSOUS REMPLACE TOUTE AUTRE GARANTIE EXPRESSE OU IMPLICITE, DE PROMOTION, D'APPLICATION PARTICULIÈRE OU AUTRE; ET AUCUNE AUTRE PROMESSE OU AFFIRMATION DE FAIT FAITE PAR QUELQUE AGENT OU REPRÉSENTANT DE MAISON DE VENTE NE CONSTITUERA UNE GARANTIE PAR LE VENDEUR OU DONNERA LIEU À QUELQUE OBLIGATION OU RESPONSABILITÉ.

Le vendeur garantit que le matériel est libre de défaut de matériau ou de main-d'œuvre à la date de remise au transporteur.

EN CAS DE RÉCLAMATION DE GARANTIE OU DE DÉFAUT DÙ À LA NÉGLIGENCE OU AUTRE CONCERNANT LE MATÉRIEL VENDU, LA SEULE OBLIGATION DU VENDEUR SERA LIMITÉE EXCLUSIVEMENT À LA RÉPARATION OU AU REMPLACEMENT AU POINT DE VENTE F.A.B. DE TOUTE PIÈCE JUGÉE DÉFECTUEUSE PAR LE VENDEUR ou si le vendeur détermine que telle réparation ou remplacement n'est pas réalisable, à un remboursement du prix d'achat sur retour du matériel au vendeur.

Toute action contre le vendeur pour cause de négligence de respect de contrat ou autrement doit être entamée en dedans d'un an de la cause de la réclamation.

AUCUNE RÉCLAMATION AU VENDEUR POUR TOUT DÉFAUT DU MATÉRIEL NE SERA VALIDÉE OU ADMISSIBLE À MOINS QU'UN AVIS ÉCRIT SOIT REÇU PAR LE VENDEUR EN DEDANS D'UN AN DE LA DATE D'EXPÉDITION.

Le vendeur ne sera responsable d'aucun dommages, blessure ou perte résultant de l'utilisation du matériel si au préalable de tel dommages, blessures ou

goods are (1) damaged or misused following Seller's delivery to carrier; (2) not maintained, inspected, or used in compliance with applicable law and Seller's written instructions and recommendations; or (3) installed, repaired, altered or modified without compliance with such law, instructions or recommendations.

UNDER NO CIRCUMSTANCES SHALL SELLER BE LIABLE FOR INCIDENTAL OR CONSEQUENTIAL DAMAGES AS THOSE TERMS ARE DEFINED IN SECTION 2-715 OF THE UNIFORM COMMERCIAL CODE.

#### **INDEMNIFICATION AND SAFE OPERATION**

Buyer shall comply with and require its employees to comply with directions set forth in instructions and manuals furnished by Seller and shall use and require its employees to follow such instructions and manuals and to use reasonable care in the use and maintenance of the goods. Buyer shall not remove or permit anyone to remove any warning or instruction signs on the goods. In the event of personal injury or damage to property or business arising from the use of the goods, Buyer shall within 48 hours thereafter give Seller written notice of such injury or damage. Buyer shall cooperate with Seller in investigating any such injury or damage and in the defense of any claims arising therefrom.

If Buyer fails to comply with this section or if any injury or damage is caused, in whole or in part, by Buyer's failure to comply with applicable federal or state safety requirements, Buyer shall indemnify and hold Seller harmless against any claims, loss or expense for injury or damage arising from the use of the goods.

El Vendedor no se responsabiliza de los daños, pérdidas o lesiones resultantes del uso de los productos si anteriormente a dichos daños, pérdidas o lesiones tales productos están (1) dañados o se ha hecho un uso indebido después de la entrega por parte del Vendedor al transportista; (2) no se ha mantenido, inspeccionado o utilizado de acuerdo a las leyes aplicables y a las instrucciones y recomendaciones por escrito proporcionadas por el Vendedor; o (3) se ha instalado, reparado, alterado o modificado fuera del ámbito de dichas leyes, instrucciones o recomendaciones. EL VENDEDOR NO SE RESPONSABILIZARÁ EN NINGÚN CASO DE DAÑOS INCIDENTALES O CONSECUENCIALES DISTINTOS A LOS TÉRMINOS EXPUESTOS EN LA SECCIÓN 2-715 DEL CÓDIGO DE COMERCIO.

#### **INDEMNIZACIÓN Y FUNCIONAMIENTO SEGURO**

El comprador cumplirá con las indicaciones descritas en las instrucciones y en los manuales proporcionados por el Comprador y se preocupará de que sus empleados las cumplan y usen y mantengan de forma razonable los bienes. El Comprador no retirará ni permitirá la retirada de ninguno de los signos de advertencia o instrucción que aparecen en los bienes. En el caso de que se produzcan daños personales o en la propiedad o negocio derivados del uso de los bienes, el Comprador deberá notificarlo por escrito al Vendedor en las 48 horas siguientes a la producción de dichos daños o lesiones. El Comprador deberá cooperar con el Vendedor en la investigación de tales daños o lesiones y en la defensa de cualquier petición resultante de las mismas.

Si el Comprador no cumple con esta sección o si se causa cualquier tipo de daño o lesión, en todo o en parte, por causa incumplimiento de los requisitos de seguridad estatales o locales por parte del Comprador, el Comprador deberá indemnificar y mantener la inocencia del Vendedor contra cualquier petición, pérdida o gasto por lesiones o daños resultantes del uso de los bienes.

perles le dit matériel est (1) endommagé ou utilisé de façon inadéquate après sa remise au transporteur; (2) non entretenu, inspecté ou utilisé en accord avec les règlements applicables et les instructions et recommandations écrites du vendeur; ou (3) installé, réparé, altéré ou modifié sans respecter de tels règlements, instructions ou recommandations.

LE VENDEUR NE PORTERA EN AUCUN CAS LA RESPONSABILITÉ POUR DOMMAGES CONSÉCUTIFS ET D'INCIDENCE SELON LA DÉFINITION DE CES TERMES À LA SECTION 2-715 DU CODE UNIFORME DE PRATIQUES COMMERCIALES ("UNIFORM COMMERCIAL CODE")

#### **OPÉRATION SÉCURITAIRE ET INDEMNISATION**

L'acheteur devra se conformer et obtenir de ses employés de se conformer aux directives établies dans les manuels et instructions fournis par le vendeur et devra utiliser et obtenir de ses employés l'observance de ces manuels et instructions et de prendre un soin raisonnable à l'utilisation et l'entretien du matériel. L'acheteur ne devra pas enlever ou permettre à quiconque d'enlever tout affichage d'instruction ou d'avertissement sur le matériel. En cas de blessure ou de dommages à la propriété ou commerce dû à l'utilisation du matériel, l'acheteur doit aviser le vendeur par écrit en moins de 48 heures de l'incident. L'acheteur devra coopérer avec le vendeur dans l'investigation de cause de telles blessures ou dommages et pour la défense contre toute réclamation résultante.

Si l'acheteur ne se conforme pas à cette section ou si toute blessure ou dommage est causé en partie ou en entier par le manque de l'acheteur de se conformer aux exigences de sécurité fédérales ou provinciales applicables, l'acheteur devra indemniser et dégager le vendeur de toute réclamation, pertes ou dépenses pour blessures ou dommages résultant de l'utilisation du matériel.



Columbus McKinnon Corporation • Industrial Products Division • 140 John James Audubon Parkway  
Amherst, New York 14228-1197 • 1-800-888-0985 • Fax 716-689-5644